

Job or Customer :	
Location :	
Engineer :	
<input type="checkbox"/> Complies with Spec <input type="checkbox"/> Alternate	Notes :
Contractor :	
HeatLink Rep :	
Submitted By :	Date :
Approved By :	Date :
P.O. Number :	Date :

Description

Solid no lead (Eco) Brass PEX F1960 elbows for PEX-a potable water expansion systems.

The use of PEX tubing in a potable hot-water plumbing system with an operating temperature above 140°F (60°C) or system pressure above 80 psig (550 kPaG) or highly aggressive water quality or any combination thereof can significantly reduce the service life of the tubing.

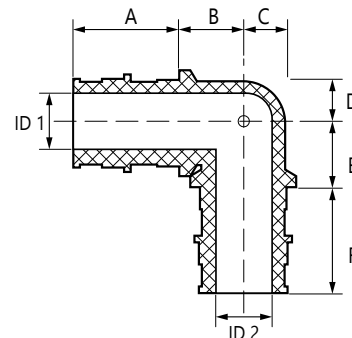
HeatLink requires following the guidelines described in Plastics Pipe Institute TN-53, Guide to Chlorine Resistance Ratings of PEX Pipes and Tubing for Potable Water Applications and HeatLink INFO 37, Domestic Hot Water Recirculation Systems.

Qty	Stk. #	Size	Dimension, in/(mm)								Weight, lb/(kg)
			A	B	C	D	E	F	ID1	ID2	
	EX28005NL	1/2" x 1/2"	0.71 (18.0)	0.32 (8.2)	0.31 (8.0)	0.32 (8.1)	0.48 (12.2)	0.71 (18.0)	0.38 (9.7)	0.38 (9.7)	0.112 (0.050)
	EX28022NL	3/4" x 3/4"	1.14 (29.0)	0.57 (14.5)	0.47 (12.0)	0.47 (12.0)	0.57 (14.5)	1.14 (29.0)	0.60 (15.2)	0.60 (15.2)	0.161 (0.073)
	EX28028NL	1" x 1"	1.42 (36.0)	0.69 (17.5)	0.59 (15.0)	0.59 (15.0)	0.69 (17.5)	1.42 (36.0)	0.80 (20.2)	0.80 (20.2)	0.304 (0.138)

Technical Data

Specifications

Material	No Lead (Eco) Brass - C69300
Operating pressure rating	180°F @ 100 psi (82.2°C @ 0.69 MPa)



Installation

Installation must follow all of HeatLink's instructions and guidelines.

Related Documents

- F1960 PEX-a Potable Water Expansion System Installation Guide (L3240)
- HeatLink Limited Plumbing Warranty

Codes

- IMC
- IPC
- IRC
- NPC of Canada
- NSPC
- UMC
- UPC

Listings

- ICC-ES PMG 1087
- cNSFus-pw
- cQALus P371
- U.P. Code

Standards

- ASTM E84
- ASTM F877
- ASTM F2159
- CSA B137.5
- NSF/ANSI 14
- NSF/ANSI 61
- NSF/ANSI 372
- ULC S102.2