

Job or Customer :	
Location :	
Engineer :	
<input type="checkbox"/> Complies with Spec <input type="checkbox"/> Alternate	Notes :
Contractor :	
HeatLink Rep :	
Submitted By :	Date :
Approved By :	Date :
P.O. Number :	Date :

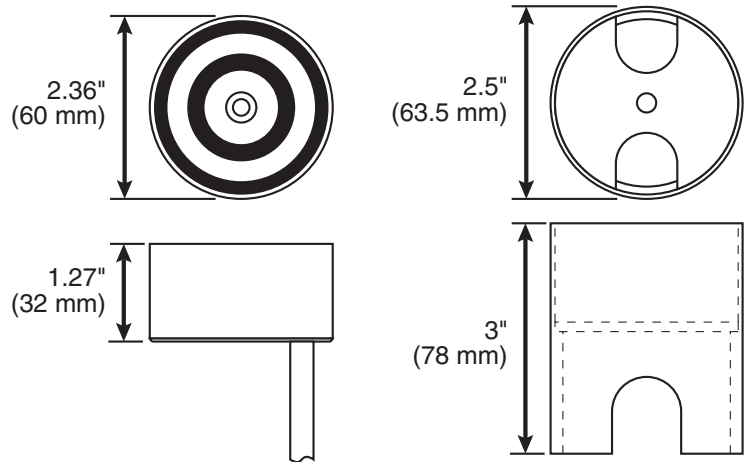
**Description**

This snow/ice sensor, in conjunction with the ETO2SMCNTR snow melt control, SMCP, or standard Snow Melt Panels, activates and controls a snow melting system based on moisture (snow/ice) and slab temperature. The sensor measures the slab temperature and sensor surface moisture level.

**Technical Data**

Detection: ..... Moisture and temperature  
 Mounting: ..... Outdoor surface  
 Cable Diameter: ..... 0.3" (7.8 mm)  
 Cable Length: ..... 85 ft (25 m)  
 Enclosure Rating: ..... IP 68  
 Ambient Temperature: ..... -57 to 158°F (-50 to 70°C)

Qty	Stk. #	Weight
	DRVWSNS-SS	6.6 lb (3.0 kg)



**Installation**

Installation must follow all of HeatLink's instructions and guidelines.

**Maintenance**

Maintenance must follow all of HeatLink's instructions and guidelines.

**Related Documents**

- Snow/Ice Detector for Snow Melt Panels Instructions (L6DRVWSNSSS)
- HeatLink Limited Heating Warranty

*This page is intentionally blank.*