

Job or Customer :	
Location :	
Engineer :	
<input type="checkbox"/> Complies with Spec <input type="checkbox"/> Alternate	Notes :
Contractor :	
HeatLink Rep :	
Submitted By :	Date :
Approved By :	Date :
P.O. Number :	Date :

Description

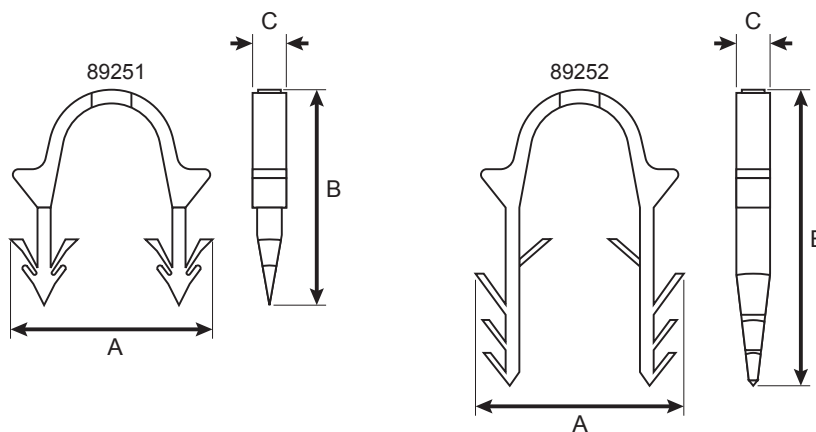
Staples for fastening up to 5/8" (or 20 mm O.D.) PEX tubing to polystyrene insulation.

Technical Data

Material:..... reinforced polypropylene

Qty	Stk. #	Size	Dimensions			Weight
			A	B	C	
	89251	1-1/2"	1.45" (36.8 mm)	1.54" (39.1 mm)	0.24" (6.0 mm)	0.04 oz (1.2 g)
	89252	2"	1.49" (37.8 mm)	2.12" (53.8 mm)	0.24" (6.0 mm)	0.06 oz (1.8 g)

Dimensional Diagram



Installation

Installation must follow all of HeatLink's instructions and guidelines.

Related Documents

- HeatLink Limited Heating Warranty

This page is intentionally blank.