

Job or Customer :	
Location :	
Engineer :	
<input type="checkbox"/> Complies with Spec <input type="checkbox"/> Alternate	Notes :
Contractor :	
HeatLink Rep :	
Submitted By :	Date :
Approved By :	Date :
P.O. Number :	Date :

Description

High impact strength molded plastic 90° long radius elbow, designed to direct and protect heating pipes in transition area where tubing enters and exists concrete slab.

Technical Data

Material:.....PVC

Qty	Pipe Size	Stk. #	L	I.R.	Dimension O.R.	I.D.	O.D.	Wall Thickness	Weight
	1/2"	86005	6-1/2" (165 mm)	3" (75 mm)	3-15/16" (100 mm)	7/8" (21 mm)	15/16" (23 mm)	1/16" (1 mm)	0.09 lb 40 g
	5/8"	86020	8-11/16" (220 mm)	5-7/8" (130 mm)	6-3/4" (170 mm)	1-7/8" (27.5 mm)	1-3/16" (30 mm)	1/16" (1.25 mm)	0.13 lb 60 g
	3/4"	86022	9-1/4" (235 mm)	4-1/2" (115 mm)	6" (150 mm)	1-3/8" (35 mm)	1-1/2" (38 mm)	1/16" (1.5 mm)	0.22 lb 100 g
	1"	86028	13-1/2" (340 mm)	6-1/2" (165 mm)	8-1/2" (215 mm)	1-5/8" (42 mm)	1-13/16" (46 mm)	1/16" (2 mm)	0.44 lb 200 g

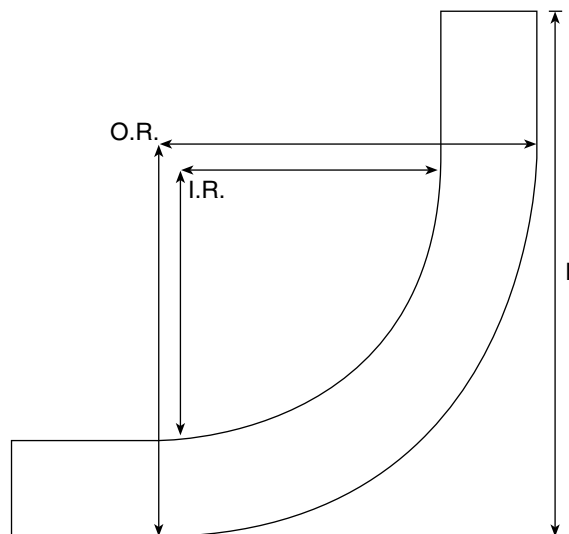
Note: All measurements are approximate due to variations in the manufacturing process.

Installation

Installation must follow all of HeatLink's instructions and guidelines, including those in the Installation Guide.

Related Documents

- HeatLink Installation Guide (L3390)
- HeatLink Limited Heating Warranty



This page is intentionally blank.