

Job or Customer :	
Location :	
Engineer :	
<input type="checkbox"/> Complies with Spec <input type="checkbox"/> Alternate	Notes :
Contractor :	
HeatLink Rep :	
Submitted By :	Date :
Approved By :	Date :
P.O. Number :	Date :

**Description**

Used to insert a 90 degree turn between the ball valve and manifold body of 1-1/4" stainless steel manifolds (75100 & 75200 series). Each kit contains a pair of elbows and gaskets.

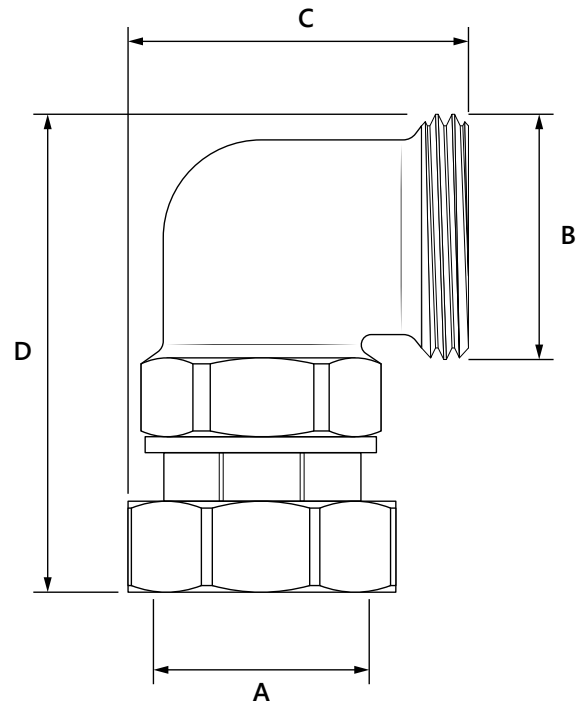
Qty	Stk. #	A	B	C	D	Weight
	76947	G 1 1/4" F (38 mm)	G 1 1/4" M (38 mm)	2.31" (59 mm)	3.23" (82 mm)	1.65 lb (0.75 kg)

**Technical Data**

**Specifications**

**Materials**

Forged components	Brass alloy UNI-EN 12165 CW617N
Machined components	Brass alloy UNI-EN 12164 CW614N
Operating temp. range	32-203°F (0-95°C)
Max. operating pressure	145 psi (1000 kPa)



**Installation & Maintenance**

Installation must follow all of HeatLink's instructions and guidelines.

**Related Documents**

- HeatLink Limited Heating Warranty

*This page is intentionally blank.*