

Job or Customer :	
Location :	
Engineer :	
<input type="checkbox"/> Complies with Spec <input type="checkbox"/> Alternate	Notes :
Contractor :	
HeatLink Rep :	
Submitted By :	Date :
Approved By :	Date :
P.O. Number :	Date :

### Description

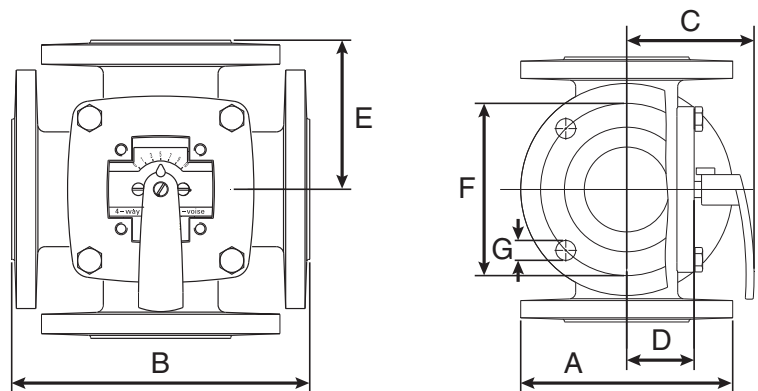
This unit mixes high temperature boiler water with heating return water to create a supply water temperature. It has the option of manual operation, or it can be fitted with a mixing valve motor for fully automatic operation. Bolt pattern is compatible with DIN 2531. Compatible with Mixing Valve Motor for 2" to 4" Flange Mixing Valves 3-Point Floating (58200) and Mixing Valve Motor for 2" to 4" Flange Mixing Valves DDC (58300).

Qty	Size	Stk. #	Dimension in/(mm)								Cvs	Kvs	Max. Differential Pressure* psi/(kPa)	Weight lb/(kg)
			A	B	C	D	E	F	G					
	2"	64164	5.51 (140)	7.68 (195)	3.62 (92)	1.97 (50)	3.86 (98)	4.33 (110)	4x 15mm	69.4	60	7.3 (50)	24.2 (11.0)	
	2 ½"	64166	6.30 (160)	7.87 (200)	3.62 (92)	1.97 (50)	3.94 (100)	5.12 (130)	4x 15mm	104.0	90	7.3 (50)	26.8 (12.2)	
	3"	64181	7.48 (190)	9.45 (240)	4.25 (108)	2.56 (65)	4.72 (120)	5.91 (150)	4x 18mm	173.4	150	7.3 (50)	44.0 (20.0)	
	4"	65000	8.27 (210)	10.43 (265)	4.88 (124)	3.19 (81)	5.20 (132)	6.69 (170)	4x 18mm	260.1	225	4.3 (30)	55.0 (25.0)	

\*with 58200 or 58300 mixing valve motor

### Technical Data

	Specifications
Material - Valve Body	Cast iron EN-JL 1030
Material - Slide	Brass CW 614N and Stainless Steel
Material - Bushing	Brass CW 602N
Material - Cover Plate	Cast iron
Material - O-rings	EPDM
Max. Operating Temperature	230°F (110°C)
Min. Operating Temperature	14°F (-10°C)
Pressure Class	PN 6
Max. Operating Pressure	90 psi (600 kPa)
Leakage in % of flow	max. 1.5%



### Installation

Installation must follow all of HeatLink's instructions and guidelines, including those in the Installation Guide.

### Related Documents

- HeatLink Limited Heating Warranty

*This page is intentionally blank.*