

Job or Customer :	
Location :	
Engineer :	
<input type="checkbox"/> Complies with Spec <input type="checkbox"/> Alternate	Notes :
Contractor :	
HeatLink Rep :	
Submitted By :	Date :
Approved By :	Date :
P.O. Number :	Date :

Description

The flat-faced flange (and gasket) are for use with the 64100 series 4-way flange mixing valves.

Technical Data

Material - Flange:.....Carbon Steel
 Material - Gasket:.....EPDM
 Max. Operating Temperature:.....230°F (110°C)
 Min. Operating Temperature:.....-15°F (-10°C)
 Max. Operating Pressure:.....240 psi (PN16)

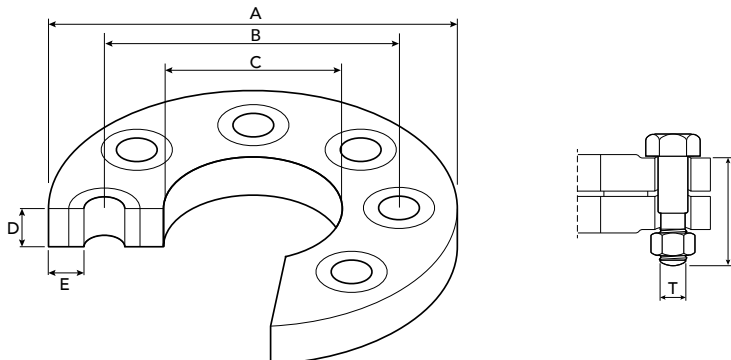
Installation

Installation must follow all of HeatLink's instructions and guidelines, including those in the installation instructions.

Related Documents

- HeatLink Limited Heating Warranty

Qty	Stk. #	Dimension							Weight
		A	B	C	D	E	L	T	
	64164F	5.51" (140 mm)	4.33" (110 mm)	2.41" (61 mm)	0.63" (16 mm)	0.55" (14 mm)	1.77" (45 mm)	0.47" (12 mm)	2.36 lb (1.07 kg)
	64166F	6.30" (160 mm)	5.12" (130 mm)	3.04" (77 mm)	0.63" (16 mm)	0.55" (14 mm)	1.77" (45 mm)	0.47" (12 mm)	3.28 lb (1.49 kg)
	64181F	7.48" (190 mm)	5.91" (150 mm)	3.56" (90 mm)	0.71" (18 mm)	0.71" (18 mm)	2.36" (60 mm)	0.63" (16 mm)	4.39 lb (1.99 kg)
	65000F	8.27" (210 mm)	6.69" (170 mm)	4.56" (116 mm)	0.71" (18 mm)	0.71" (18 mm)	2.36" (60 mm)	0.63" (16 mm)	5.27 lb (2.39 kg)
	64164G	3.74" (95 mm)	n/a	2.41" (61 mm)		n/a	n/a	n/a	
	64166G	4.53" (115 mm)	n/a	3.04" (77 mm)		n/a	n/a	n/a	
	64181G	5.20" (132 mm)	n/a	3.56" (90 mm)		n/a	n/a	n/a	
	65000G	5.98" (152 mm)	n/a	4.56" (116 mm)		n/a	n/a	n/a	



This page is intentionally blank.