

Job or Customer :	
Location :	
Engineer :	
<input type="checkbox"/> Complies with Spec <input type="checkbox"/> Alternate	Notes :
Contractor :	
HeatLink Rep :	
Submitted By :	Date :
Approved By :	Date :
P.O. Number :	Date :

**Description**

Flow balancing valve for use in injection systems and with the sidestream filter.

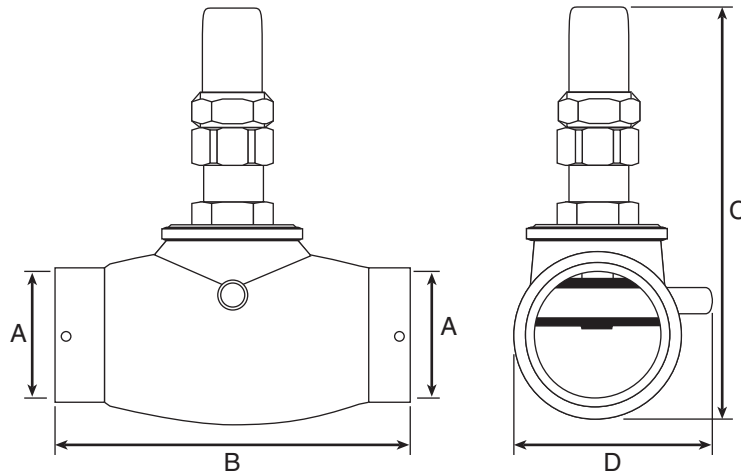
**Technical Data**

Materials:..... Cast Brass Body  
 Max. Operating Temperature..... 121°C / 250°F  
 Max. Operating Pressure..... 17.24 bar / 250 psi

**Standards / Listings**

n/a

Qty	Stk. #	Dimension				Weight
		A	B	C	D	
	62325	1" Female Sweat	3.7" 94 mm	5.1" 130 mm	2.33" 59 mm	2.6 lb 1.18 kg



**Installation**

Installation must follow all of HeatLink's instructions and guidelines, including those in the installation instructions.

**Related Documents**

- HeatLink Limited Heating Warranty

*This page is intentionally blank.*