

Job or Customer :	
Location :	
Engineer :	
<input type="checkbox"/> Complies with Spec <input type="checkbox"/> Alternate	Notes :
Contractor :	
HeatLink Rep :	
Submitted By :	Date :
Approved By :	Date :
P.O. Number :	Date :

**Description**

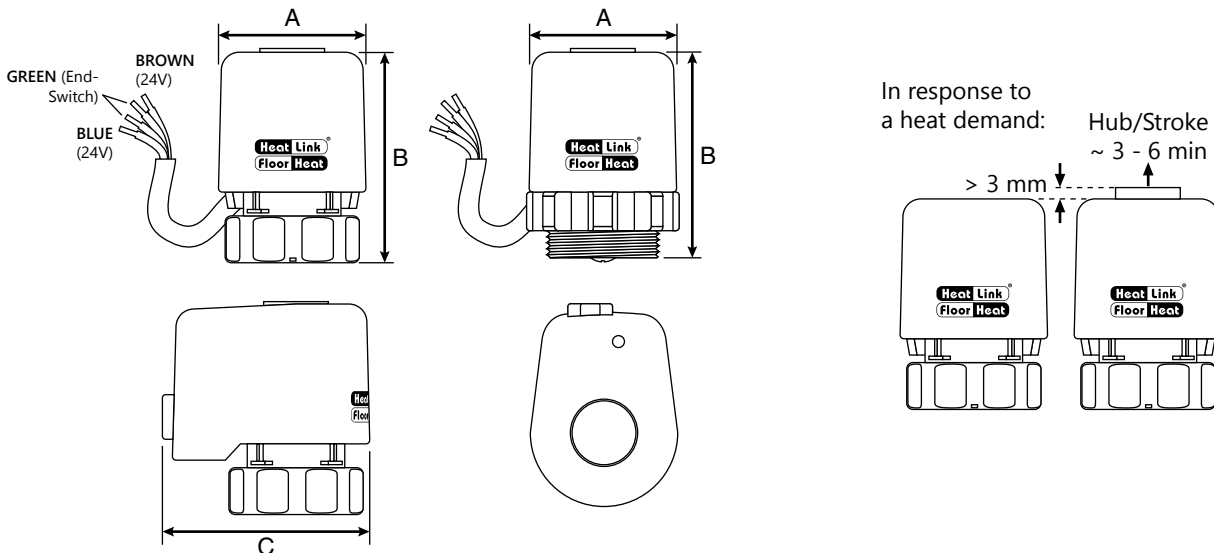
These actuators allow for additional room temperature control in conjunction with a room thermostat by mounting on a TwistSeal™ supply manifold module (56230), Stainless Steel Manifold (56231), HeatLink® 62000V & 63000V series zone valves (56231), or TwistSeal™ Multiport Manifold (56232). Comes complete with end switch to allow pump and/or boiler switching.

**Technical Data**

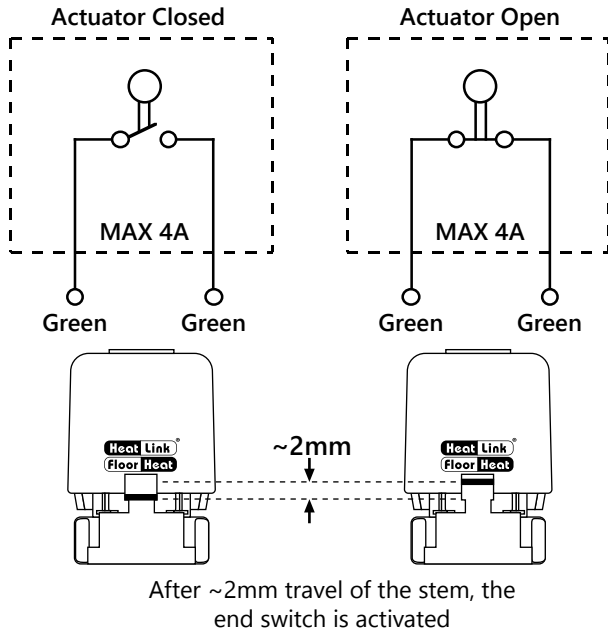
Operating Voltage: .....24 V(ac)  
 Power Consumption: .....2 VA  
 Max. Current .....230 mA  
 Type:.....Normally Closed  
 Operating Temperature:.....-5°C to 60°C / 23°F to 138°F  
 Protection Class:.....IP 40  
 Force:.....90 N  
 Cable Length:.....1 m / 3.28 ft

Standards / Listings  
CE

Qty	Stk. #	Valve	Dimension			Weight
			A	B	C	
	56230	TwistSeal® (55 mm) or TwistSeal® Mini (40 mm)	1-½" (38 mm)	2-¾" (56 mm)	2-¾" (55 mm)	0.35 lb 160 g
	56231	Zone Valve or Stainless Steel Manifold	1-½" (38 mm)	2-¾" (56 mm)	2-¾" (55 mm)	0.35 lb 160 g
	56232	TwistSeal® Mini Multiport	1-½" (38 mm)	2-¾" (55 mm)	2-¾" (55 mm)	0.35 lb 160 g



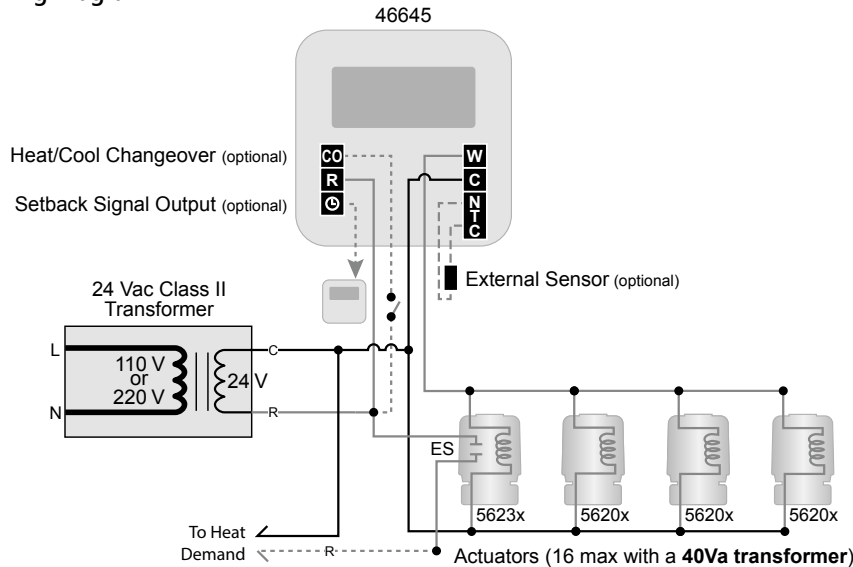
End Switch Position



Should actuators with end switch be used instead of StatLink, there also exists the possibility to adjust the switching point on the actuator. Turn the screw in by ½ of a turn to for a reasonable adjustment.

Always make sure that the end switch is still switching on and off. Due to the tolerances involved some actuators may require more of less of an adjustment. Note: Pushing down on the screw may trigger it to switch, this is not the actual switching point. Always test the switching point with the screwdriver removed.

Sample Wiring Diagram



**Note:** If there are >5 actuators for 1 zone, it may be more cost effective to have a separate manifold and use an actuator on a zone valve.

Installation

Installation of the thermostat must follow all of HeatLink's instructions and guidelines, including those in the StatLink Technical Guide.

Related Documents

- HeatLink Limited Heating Warranty