

Job or Customer :	
Location :	
Engineer :	
<input type="checkbox"/> Complies with Spec <input type="checkbox"/> Alternate	Notes :
Contractor :	
HeatLink Rep :	
Submitted By :	Date :
Approved By :	Date :
P.O. Number :	Date :

Description

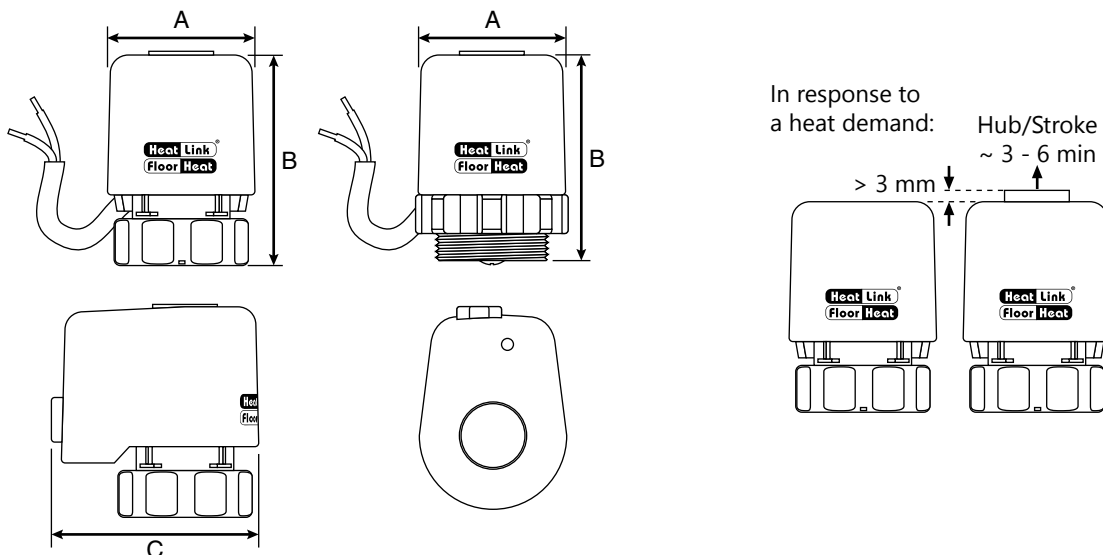
These actuators allow for additional room temperature control in conjunction with a room thermostat by mounting on a TwistSeal™ supply manifold module (56200), Stainless Steel Manifold (56201), HeatLink® 62000V & 63000V series zone valves (56201), or TwistSeal™ Multiport Manifold (56202). Includes a heat demand LED indicator.

Technical Data

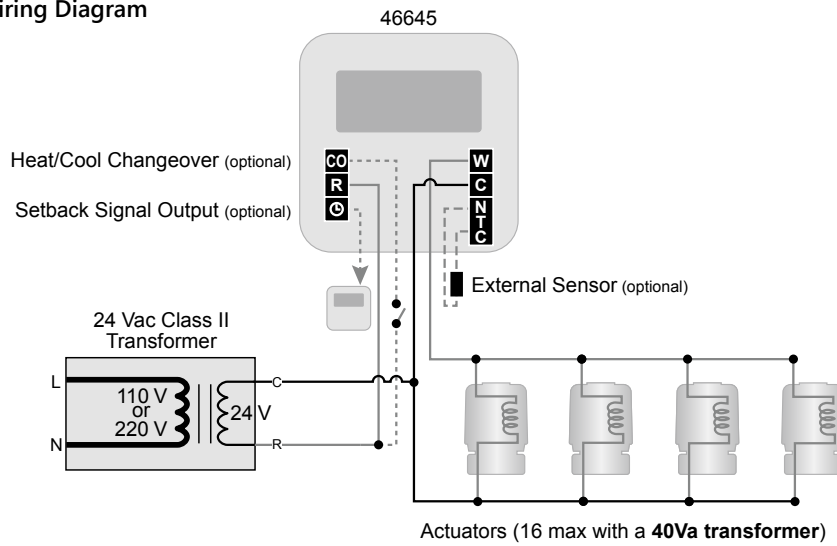
Operating Voltage:24 V(ac)
 Power Consumption:2 VA
 Max. Current230 mA
 Type:.....Normally Closed
 Operating Temperature:.....-5°C to 60°C / 23°F to 138°F
 Protection Class:.....IP 40
 Force:.....90 N
 Cable Length:.....1 m / 3.28 ft

Standards / Listings
CE

Qty	Stk. #	Valve	Dimension			Weight
			A	B	C	
	56200	TwistSeal® (55 mm) or TwistSeal® Mini (40 mm)	1- ¹ / ₂ " (38 mm)	2- ³ / ₁₆ " (56 mm)	2- ³ / ₁₆ " (55 mm)	0.29 lb 130 g
	56201	Zone Valve or Stainless Steel Manifold	1- ¹ / ₂ " (38 mm)	2- ³ / ₁₆ " (56 mm)	2- ³ / ₁₆ " (55 mm)	0.31 lb 140 g
	56202	TwistSeal® Mini Multiport	1- ¹ / ₂ " (38 mm)	2- ³ / ₁₆ " (55 mm)	2- ³ / ₁₆ " (55 mm)	0.31 lb 140 g



Sample Wiring Diagram



Note: If there are >5 actuators for 1 zone, it may be more cost effective to have a separate manifold and use an actuator on a zone valve.

Installation

Installation of the thermostat must follow all of HeatLink's instructions and guidelines, including those in the StatLink Technical Guide.

Related Documents

- HeatLink Limited Heating Warranty