

Job or Customer :	
Location :	
Engineer :	
<input type="checkbox"/> Complies with Spec <input type="checkbox"/> Alternate	Notes :
Contractor :	
HeatLink Rep :	
Submitted By :	Date :
Approved By :	Date :
P.O. Number :	Date :

Description

The Inline Shutoff Valve controls water supply as part of a HeatLink Smart System. This inline valve can communicate with one or more Water Leak Sensors to automatically shut off the water supply in the event of a water leak.

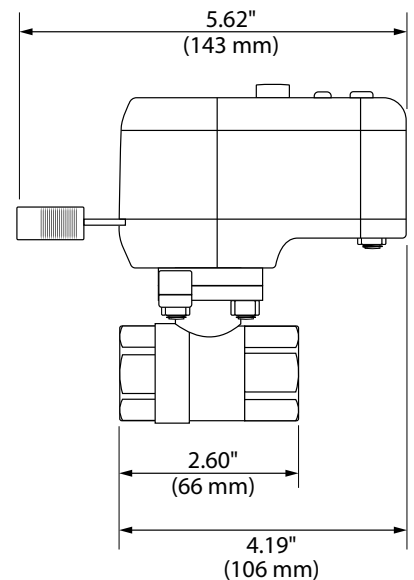
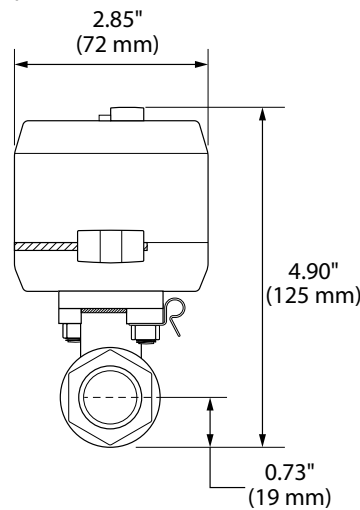
Connects wirelessly with the 43301 Wireless Gateway which can be connected to the internet and to the HeatLink app to provide remote monitoring and control.

Includes AC adapter with 13' (4 m) cable and cable clips.

Qty	Stk. #	Weight
	43311	1.64 lb (0.745 kg)

Technical Data

	Specifications
Operating range	32 - 122°F (0 - 50°C) <90% Relative Humidity
Storage	14-140°F (-10 - 60°C)
Nominal Pressure Rating	300 psi (2068 kPa) WOG
Power supply	120 Vac – 60 hertz
RF frequency	ZigBee HA 3.0 based protocol 2.4 GHz
Materials - valve	Lead Free* Bronze
Materials - actuator enclosure	PCR241R
Pipe connection	¾" FNPT
Protection	IP54



Standards / Listings

FCC ID: 2AAUQ-CTL35XXA
IC: 1700A-CTL35XXA
cUPC US and Canada (NSF/ANSI 61-G & 372)

Installation & Maintenance

Installation and maintenance must follow all of HeatLink's instructions and guidelines.

Related Documents

- HeatLink Wired Pump Relay Instructions (L643311)
- HeatLink Limited Heating Warranty

*The wetted surfaces contain no more than 0.25% lead by weighted average.

This page is intentionally blank.