

Job or Customer :	
Location :	
Engineer :	
<input type="checkbox"/> Complies with Spec <input type="checkbox"/> Alternate	Notes :
Contractor :	
HeatLink Rep :	
Submitted By :	Date :
Approved By :	Date :
P.O. Number :	Date :

Description

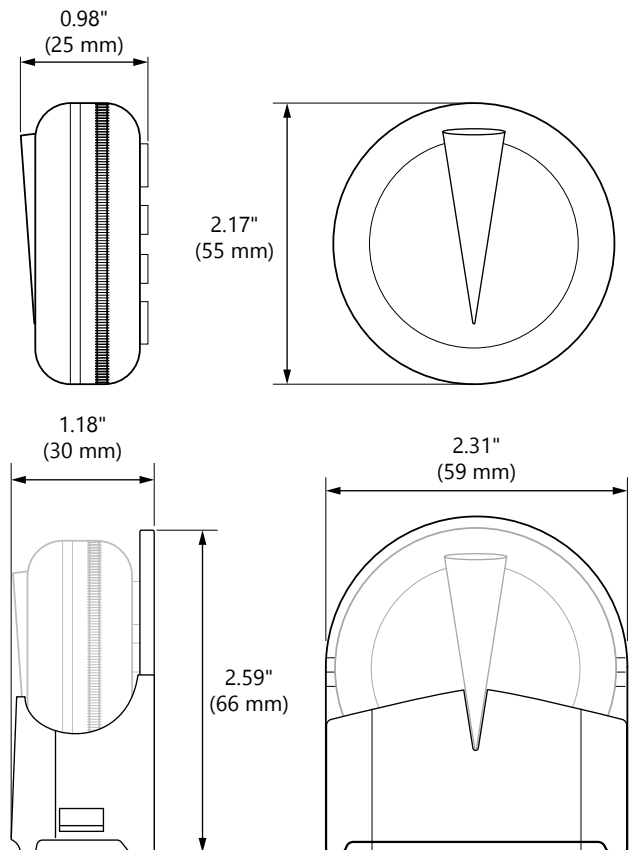
The Water Leak Sensor detects the presence of water on a surface or across remote leads. This sensor may be used on horizontal surfaces with low overhead clearance, narrow vertical spaces with the wall mounting bracket (shown), or in difficult locations using the remote leads (not shown). The Water Leak Sensor connects wirelessly with a Gateway.

Includes 1× CR2 3V Lithium battery, wall mounting bracket, mounting kit, and 78" (2 m) remote leads.

Qty	Stk. #	Weight
	43310	0.75 lb (0.340 kg)

Technical Data

	Specifications
Indicators	Status LED
Connections	Sensor cable
Operating Conditions	32 – 104°F (0 – 40°C) 10 – 90% RH, non condensing
Storage Conditions	-14 – 185°F (-20 – 85°C) 20 – 95% humidity, non condensing
RF frequency	ZigBee HA 3.0 based protocol 802.11.b/g/n - 2.4Ghz WiFi
RF Range	400m open field
Input Voltage	3V (CR2 lithium battery)
Protection	IP57
Materials	ABS Plastic



Standards / Listings

FCC ID: 2AG86-SS901ZB
IC: 21063-SS901ZB

Installation & Maintenance

Installation and maintenance must follow all of HeatLink's instructions and guidelines.

Related Documents

- HeatLink Wired Pump Relay Instructions (L643310)
- HeatLink Limited Heating Warranty

This page is intentionally blank.