

Job or Customer :	
Location :	
Engineer :	
<input type="checkbox"/> Complies with Spec <input type="checkbox"/> Alternate	Notes :
Contractor :	
HeatLink Rep :	
Submitted By :	Date :
Approved By :	Date :
P.O. Number :	Date :

Description

The Repeater can be used to boost the signal or extend the network when required, for example, areas with numerous concrete obstructions or for extended distances between devices.

When more than 32 battery powered devices are used, additional Repeaters may be required depending on which Smart System AC powered devices are on the network.

Features & Benefits

- Extends the range of network in areas with obstructions or between extended distances.
- Increases the capacity of battery powered devices on the ZigBee network by 32.

Includes USB AC adapter.

Qty	Stk. #	Weight
	43307	0.03 lb (0.01 kg)

Technical Data

	Specifications
Controls	Network button
Indicators	Network status LED green/red
Operating Conditions	32 – 122°F (0 – 50°C) 5 – 95% RH, non condensing
Storage Conditions	-4 – 140°F (-20 – 60°C) 5 – 95% RH, non condensing
Radio	802.15.4 (2.45 GHz) ZigBee HA 1.2 based protocol
Power	USB type A plug, 5 Vdc, 0.3 A
Protection	IP30

Standards / Listings

Repeater

FCC ID: 2AG86-SAA6DC1

IC: 21063-SAA6DC1

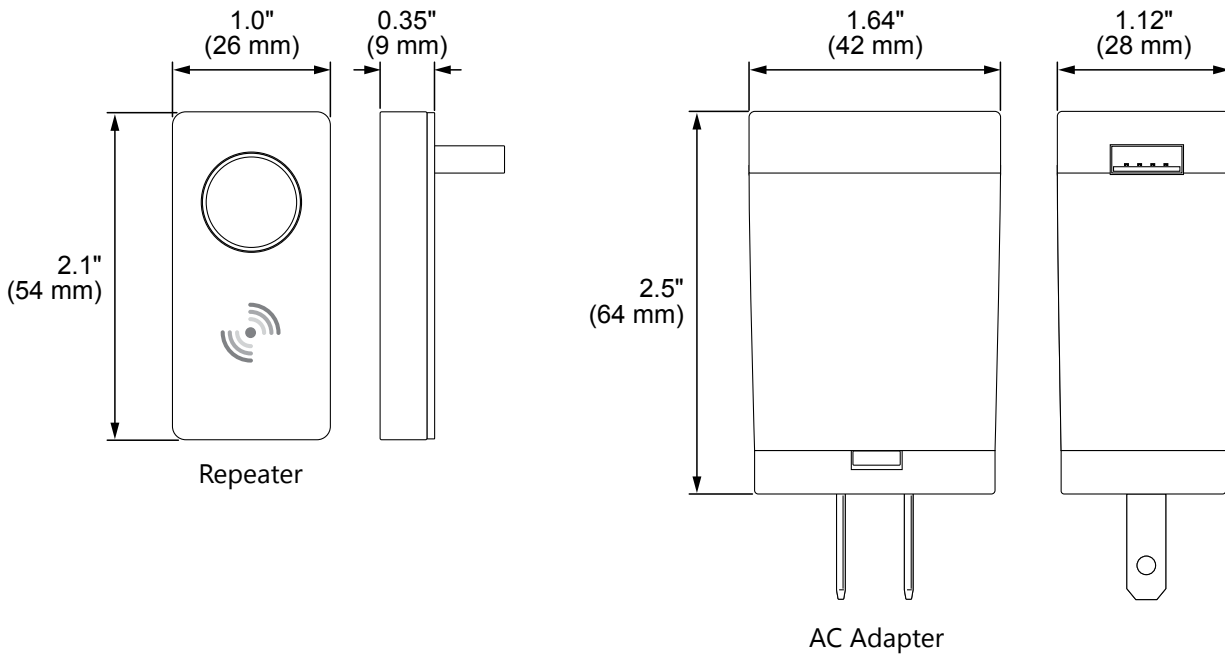
AC Adapter

CAN ICES-3(B)/NMB-3(B)

CE

cULus

Dimensions



Installation

Installation must follow all of HeatLink's instructions and guidelines.

Maintenance

Maintenance must follow all of HeatLink's instructions and guidelines.

Related Documents

- Smart System Installation & Setup Manual (L3715)
- Repeater Instructions (L643307)
- HeatLink Limited Heating Warranty