

Job or Customer :	
Location :	
Engineer :	
<input type="checkbox"/> Complies with Spec <input type="checkbox"/> Alternate	Notes :
Contractor :	
HeatLink Rep :	
Submitted By :	Date :
Approved By :	Date :
P.O. Number :	Date :

Description

The Wireless Smart Plug / Repeater is small, yet powerful enough to provide simple on/off power control of devices using up to 15 A.

Its small size not only keeps the other outlet of a standard duplex receptacle clear, it also allows the use of a second Smart Plug. Works with the Smart System App to allow smartphones, tablets, or PCs to turn on and off devices from anywhere. Create schedules or OneTouch™ rules to automatically turn devices on or off.

Features:

- Energy consumption measurement.
- Up to 15 Amp resistive load switching.
- Protocol repeater to extend the wireless network.

Qty	Stk. #	Weight
	43304	0.16 lb (0.07 kg)

Technical Data

	Specifications
Controls	Multifunction button
Indicators	White LED
Terminals	NEMA 5-15P (Type B) NEMA 5-15R (Type B)
Operating Conditions	32 – 104°F (0 – 40°C) 10 – 90% RH, non condensing
Storage Conditions	-4 – 185°F (-20 – 85°C) 10 – 90% RH, non condensing
Radio	802.15.4 (2.45 GHz) ZigBee HA 1.2 based protocol
Power	120 Vac ±10%, 60Hz
Max. Switch Current	15 A resistive
Measurement Accuracy	±2% for >90 W loads

Standards / Listings

cETLus

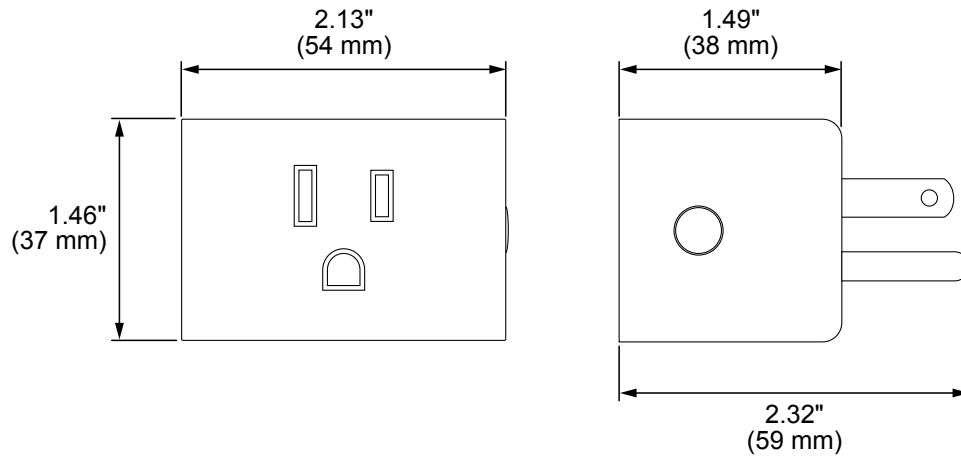
FCC ID: 2AG86-SX885ZB

IC: 21063-SX885ZB

Conforms to US Std. 60730-1, 61010-1

Certified to CSA Std. E60730-1, C22.2 No. 61010-1

Dimensions



Installation

Installation must follow all of HeatLink's instructions and guidelines.

Maintenance

Maintenance must follow all of HeatLink's instructions and guidelines.

Related Documents

- Smart System Installation & Setup Manual (L3715)
- Smart Plug Instructions (L643304)
- HeatLink Limited Heating Warranty