

Job or Customer :	
Location :	
Engineer :	
<input type="checkbox"/> Complies with Spec <input type="checkbox"/> Alternate	Notes :
Contractor :	
HeatLink Rep :	
Submitted By :	Date :
Approved By :	Date :
P.O. Number :	Date :

Description

The Wireless Internet Gateway is the heart of a HeatLink Smart System.

The Gateway coordinates the ZigBee HA wireless protocol that the Smart System devices use to interact, and connects to the building's Internet router to create a secure path to the HeatLink app.

Unlike some connected home systems, the Gateway is the only device that needs to be connected to the Internet, so it is quick to setup and simple to manage and grow the Smart System with more devices as required.

You can connect up to 200 devices to one gateway, including up to nine (9) StatLink® 8 Zone Wireless Modules.

Includes USB power adapter, 36" (0.9 m) USB power cable, and 21" (0.5 m) ethernet cable.

Qty	Stk. #	Weight
	43301	0.26 lb (0.12 kg)

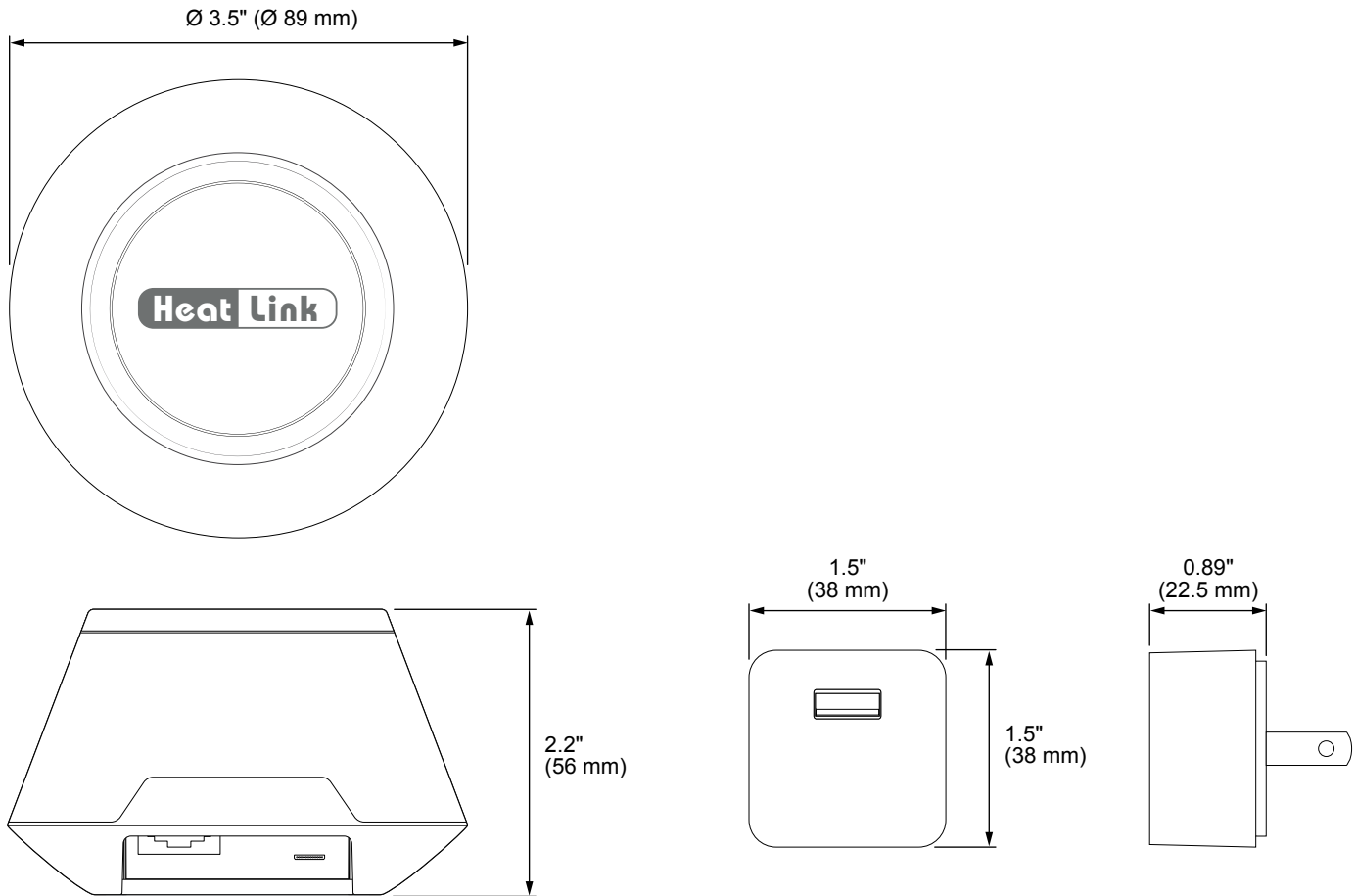
Technical Data

	Specifications
Controls	Multi-function button
Indicators	Status LED ring
Connections	USB micro-B (power) RJ-45 - 10/100 Ethernet
Operating Conditions	32 – 104°F (0 – 40°C) 10 – 90% RH, non condensing
Storage Conditions	-14 – 104°F (-10 – 40°C) 10 – 90% RH, non condensing
Radio	802.15.4 (2.45 GHz) - ZigBee HA 1.2 based protocol 802.11.b/g/n - 2.4Ghz WiFi
RF Range	400m open field
Input Voltage	120 Vac ±10%, 60Hz
Protection	IP30

Standards / Listings

cETLus
 FCC ID: 2AG86-SAU2AG1
 IC: 21063-SAU2AG1
 Conforms to UL Std. 60950-1
 Certified to CSA Std. C22.2 No. 60950-1

Dimensions



Installation

Installation must follow all of HeatLink's instructions and guidelines.

Maintenance

Maintenance must follow all of HeatLink's instructions and guidelines.

Related Documents

- Smart System Installation & Setup Manual (L3715)
- Wireless Internet Gateway Instructions (L643301)
- HeatLink Limited Heating Warranty