

Job or Customer :	
Location :	
Engineer :	
<input type="checkbox"/> Complies with Spec <input type="checkbox"/> Alternate	Notes :
Contractor :	
HeatLink Rep :	
Submitted By :	Date :
Approved By :	Date :
P.O. Number :	Date :

Description

This aerial mounted snow sensor in conjunction with a compatible snow melt control, activates a snow melting system based on moisture (snow). It mounts to a nominal 1/2" (16 mm) metal or PVC conduit or pole. For use with #30654 Snow Melt Control or # 31680 Snow Melt Control 680-BMS BACnet.

Qty	Stk. #	Weight
	30095	0.4 lb (0.18 kg)

Installation

Installation must follow all of HeatLink's instructions and guidelines.

Maintenance

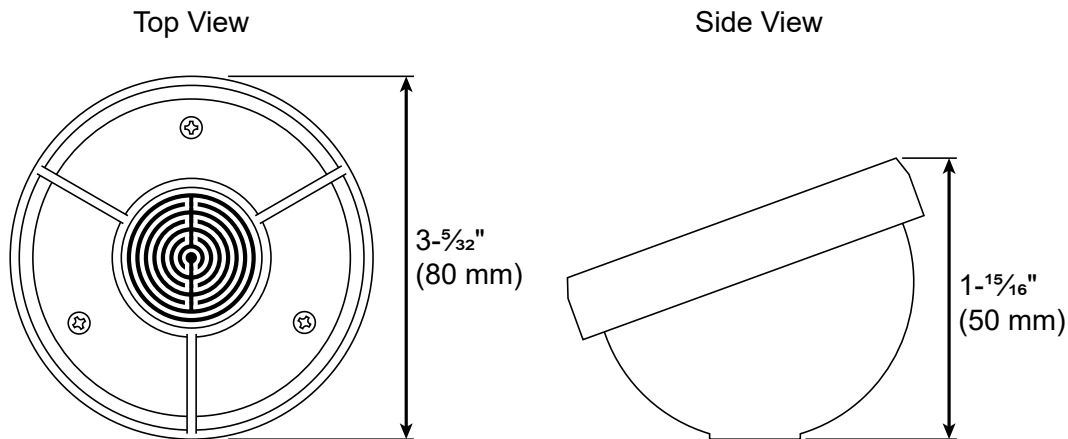
Maintenance must follow all of HeatLink's instructions and guidelines.

Technical Data

	Specifications
Min operating temperature	-40°F (-40°C)
Max operating temperature	122°F (50°C)
Material - enclosure	White PVC plastic, UV stable, NEMA type 1

Related Documents

- Installation and Operation Manual (L630095)
- HeatLink Limited Heating Warranty



This page is intentionally blank.