

Job or Customer :	
Location :	
Engineer :	
<input type="checkbox"/> Complies with Spec <input type="checkbox"/> Alternate	Notes :
Contractor :	
HeatLink Rep :	
Submitted By :	Date :
Approved By :	Date :
P.O. Number :	Date :

**Description**

Solid no lead brass PEX insert × MNPT elbows.

**Listings**

cNSFus-pw

**Standards**

ASTM F877  
 ASTM F1807  
 CSA B137.5  
 NSF/ANSI 14  
 NSF/ANSI 61  
 NSF/ANSI 372

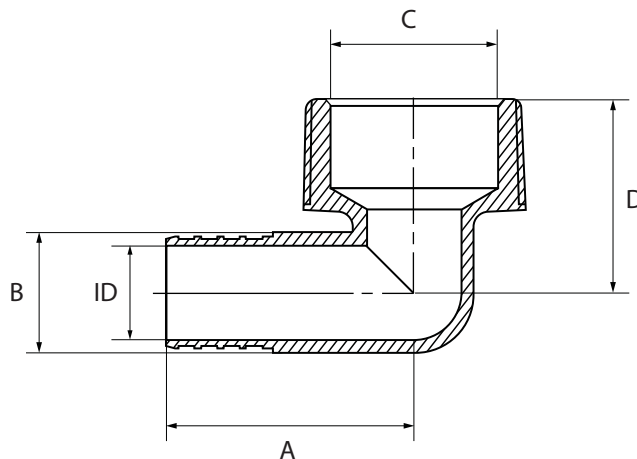
**Technical Data**

Material:..... No Lead (Eco) Brass - C69300  
 Working Pressure:..... 100 psi maximum  
 Tested Pressure:..... 100 psi  
 Maximum Temperature:..... 82°C / 180°F

**Codes**

IAPMO UPC

Qty	Stk. #	Size	Dimension				ID	Weight
			A	B	C	D		
	28535NL	1-1/4" PEX × 1-1/4" MNPT	2.0" (51.0 mm)	1.10" (28.0 mm)	1.25" (32.0 mm)	1.57" (40.0 mm)	0.87" (22.1 mm)	8.46 oz (240.0 g)



**Installation**

Installation must follow all of HeatLink's instructions and guidelines.

**Related Documents**

- HeatLink Limited Plumbing Warranty

*This page is intentionally blank.*