

|   |         |
|---|---------|
| Job or Customer :   |         |
| Location :  |         |
| Engineer :  |         |
| <input type="checkbox"/> Complies with Spec<br><input type="checkbox"/> Alternate | Notes : |
| Contractor :  |         |
| HeatLink Rep :  |         |
| Submitted By :  | Date :  |
| Approved By :   | Date :  |
| P.O. Number :   | Date :  |

### Description

Solid no lead brass PEX Insert × FNPT drop ear elbow.

*The use of PEX tubing in a potable hot-water plumbing system with an operating temperature above 140°F (60°C) or system pressure above 80 psig (550 kPaG) or highly aggressive water quality or any combination thereof can significantly reduce the service life of the tubing.*

*HeatLink requires following the guidelines described in Plastics Pipe Institute TN-53, Guide to Chlorine Resistance Ratings of PEX Pipes and Tubing for Potable Water Applications and HeatLink INFO 37, Domestic Hot Water Recirculation Systems.*

Dimensions in/(mm)

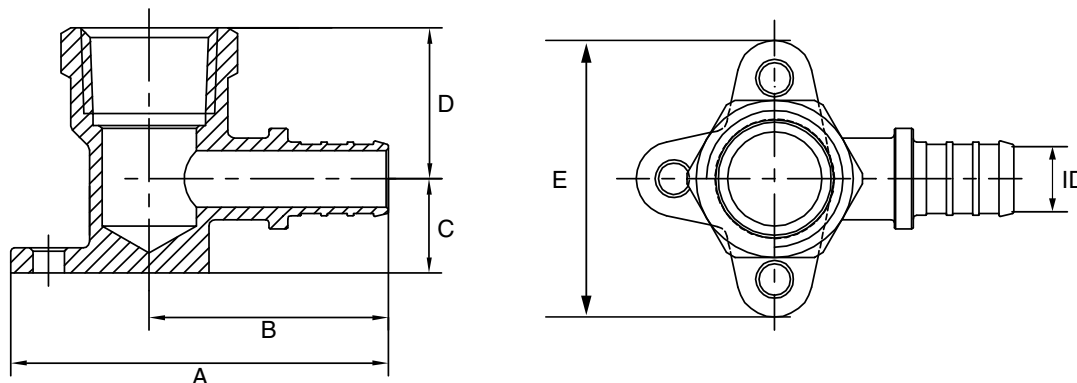
| Qty | Stk. #  | Size                 | A                  | B                  | C                  | D                  | E                  | ID                | Weight lb/kg        |
|-----|---------|----------------------|--------------------|--------------------|--------------------|--------------------|--------------------|-------------------|---------------------|
|     | 28312NL | 1/2" PEX × 3/8" FNPT | 2.19"<br>(55.5 mm) | 1.32"<br>(33.5 mm) | 0.59"<br>(15.0 mm) | 0.75"<br>(19.0 mm) | 1.73"<br>(44.0 mm) | 0.35"<br>(8.9 mm) | 2.96 oz<br>(84.0 g) |
|     | 28305NL | 1/2" PEX × 1/2" FNPT | 2.36"<br>(60.0 mm) | 1.50"<br>(38.0 mm) | 0.59"<br>(15.0 mm) | 0.94"<br>(24.0 mm) | 1.73"<br>(44.0 mm) | 0.35"<br>(8.9 mm) | 3.31 oz<br>(94.0 g) |

### Technical Data

#### Specifications

|                           |                                     |
|---------------------------|-------------------------------------|
| Material                  | No Lead (Eco) Brass - C69300        |
| Operating Pressure Rating | 180°F @ 100 psi (82.2°C @ 0.69 MPa) |

#### Dimensional Diagram



### Installation

Installation must follow all of HeatLink's instructions and guidelines.

### Related Documents

HeatLink Limited Plumbing Warranty

#### Listings

ICC-ES PMG 1087  
cNSFus-pw  
cQAlus P371  
U.P. Code

#### Codes

IMC  
IPC  
IRC  
NPC of Canada  
NSPC  
UMC  
UPC

#### Standards

ASTM F877  
ASTM F1807  
ASTM E 84  
CSA B137.5  
NSF/ANSI 14  
NSF/ANSI 61  
NSF/ANSI 372  
ULC S102.2