

Job or Customer :	
Location :	
Engineer :	
<input type="checkbox"/> Complies with Spec <input type="checkbox"/> Alternate	Notes :
Contractor :	
HeatLink Rep :	
Submitted By :	Date :
Approved By :	Date :
P.O. Number :	Date :

Description

Solid no lead brass PEX insert x MNPT adapters.

Listings

cNSFus-pw

Standards

ASTM F877
ASTM F1807
CSA B137.5
NSF/ANSI 14
NSF/ANSI 61
NSF/ANSI 372

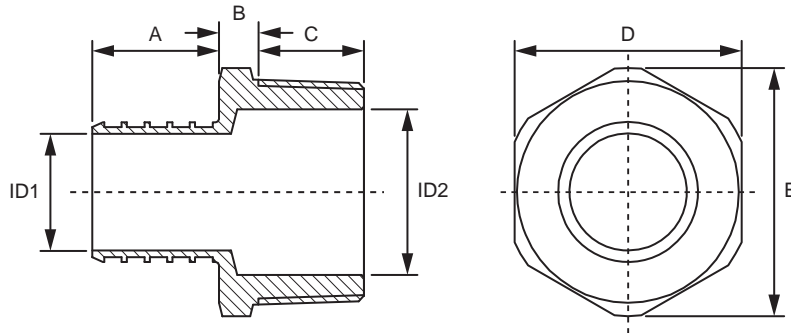
Technical Data

Material:..... No Lead (Eco) Brass - C69300
Operating Pressure Rating:..... 180°F @ 100 psi (82.2°C @ 0.69 MPa)

Codes

IAPMO UPC

Dimensional Diagram



Installation

Installation must follow all of HeatLink's instructions and guidelines.

Related Documents

- HeatLink Limited Plumbing Warranty

Qty	Stk. #	Size	Dimension, in / (mm)					ID1	ID2	Weight, lb / (kg)
			A	B	C	D	E			
	27505NL	½" PEX x ½" MNPT	0.63 (16.0)	0.37 (9.3)	0.59 (15.0)	0.87 (22.0)	0.98 (25.0)	0.35 (8.9)	0.59 (15.0)	0.086 (0.039)
	27552NL	½" PEX x ¾" MNPT	0.63 (16.0)	0.41 (10.3)	0.63 (16.0)	1.08 (27.5)	1.24 (31.5)	0.35 (8.9)	0.75 (19.0)	0.132 (0.060)
	27525NL	¾" PEX x ½" MNPT	0.63 (16.0)	0.35 (9.0)	0.59 (15.0)	0.87 (22.0)	0.99 (25.2)	0.53 (13.5)	0.59 (15.0)	0.099 (0.045)
	27522NL	¾" PEX x ¾" MNPT	0.63 (16.0)	0.41 (10.3)	0.63 (16.0)	1.08 (27.5)	1.24 (31.5)	0.53 (13.5)	0.75 (19.0)	0.143 (0.065)
	27582NL	1" PEX x ¾" MNPT	0.81 (20.5)	0.24 (6.0)	0.63 (16.0)	1.08 (27.5)	1.24 (31.5)	0.71 (18.0)	0.77 (19.6)	0.126 (0.057)
	27528NL	1" PEX x 1" MNPT	0.81 (20.5)	0.31 (8.0)	0.75 (19.0)	1.34 (34.0)	1.52 (38.5)	0.71 (18.0)	0.98 (25.0)	0.212 (0.096)
	27538NL	1 ¼" PEX x 1" MNPT	0.94 (24.0)	0.31 (8.0)	0.75 (19.0)	1.34 (34.0)	1.52 (38.5)	0.87 (22.1)	0.98 (25.0)	0.223 (0.101)
	27535NL	1 ¼" PEX x 1 ¼" MNPT	0.94 (24.0)	0.26 (6.5)	0.83 (21.0)	1.69 (43.0)	1.85 (47.0)	0.87 (22.1)	1.24 (31.5)	0.348 (0.158)
	27541NL	1 ½" PEX x 1 ½" MNPT	1.15 (29.2)	0.25 (6.3)	1.02 (26.0)	2.01 (51.0)	2.32 (58.9)	1.04 (26.5)	1.50 (38.0)	0.509 (0.231)
	27554NL	2" PEX x 2" MNPT	1.50 (38.1)	0.61 (15.5)	0.94 (24.0)	2.44 (62.0)	2.82 (71.6)	1.37 (34.7)	2.01 (51.0)	0.866 (0.393)

This page is intentionally blank.