

Job or Customer :	
Location :	
Engineer :	
<input type="checkbox"/> Complies with Spec <input type="checkbox"/> Alternate	Notes :
Contractor :	
HeatLink Rep :	
Submitted By :	Date :
Approved By :	Date :
P.O. Number :	Date :

**Description**

No lead brass stop and waste valve.

**Technical Data**

Material:..... No Lead (Eco) Brass - C69300  
 Working Pressure:..... 100 psi maximum  
 Tested Pressure:..... 100 psi  
 Maximum Temperature:..... 82°C / 180°F

**Listings**

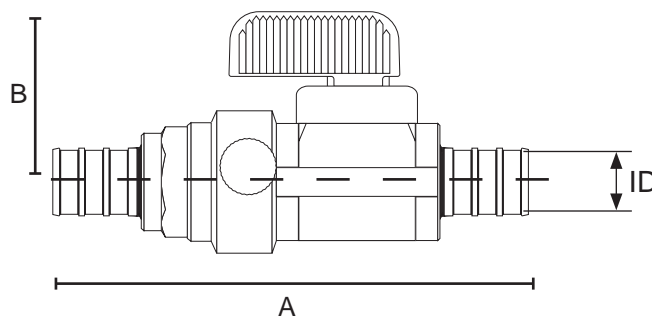
IAPMO UPC  
 CSA

**Standards**

ANSI/NSF 61  
 ANSI/NSF 372  
 ASME A112.18.1/CSA B125.1  
 ASTM F1807  
 ASTM F877

Qty	Stk. #	Size	Dimension			Approx. Cv	Weight
			A	B	ID		
	23775NL	1/2" PEX x 1/2" PEX	2.9" (73.6mm)	1.2" (30.5mm)	0.35" (8.9 mm)	3.0	0.25 lb (0.112 kg)
	23772NL	3/4" PEX x 3/4" PEX	3.0" (76.1mm)	1.3" (33.0mm)	0.53" (13.5 mm)	6.0	0.41 lb (0.188 kg)

**Dimensional Diagram**



**Installation**

Installation must follow all of HeatLink's instructions and guidelines.

**Related Documents**

- HeatLink Limited Plumbing Warranty

*This page is intentionally blank.*