

Job or Customer :	
Location :	
Engineer :	
<input type="checkbox"/> Complies with Spec <input type="checkbox"/> Alternate	Notes :
Contractor :	
HeatLink Rep :	
Submitted By :	Date :
Approved By :	Date :
P.O. Number :	Date :

Description

No lead brass PEX F1807 × PEX F1807 full port straight ball valves with lever handle.

Qty	Stk. #	Size	Dimension, in/(mm)							Weight, lb/(kg)
			A	B	C	D	E	F	ID	
	23305NL	½" PEX	0.87 (22)	2.44 (62)	1.64 (41.7)	2.07 (52.7)	4.84 (123)	3.46 (88)	0.35 (9)	0.27 (0.122)
	23322NL	¾" PEX	1.22 (31)	2.58 (65.5)	1.81 (46)	2.42 (61.5)	4.88 (123.9)	3.46 (88)	0.53 (13.5)	0.41 (0.185)
	23328NL	1" PEX	1.46 (37)	3.17 (80.5)	2.09 (53.2)	2.82 (71.7)	6.00 (152.6)	4.29 (109)	0.71 (18.1)	0.67 (0.302)
	23335NL	1 ¼" PEX	1.69 (43)	3.62 (92)	2.19 (55.5)	3.03 (77)	6.22 (158)	4.29 (109)	0.87 (22.2)	0.90 (0.410)
	23341NL	1 ½" PEX	1.97 (50)	4.29 (109)	2.38 (60.5)	3.37 (85.5)	7.89 (200.5)	5.63 (143)	1.04 (26.5)	1.35 (0.612)
	23354NL	2" PEX	2.44 (62)	5.57 (141.5)	2.63 (67)	3.86 (98)	8.59 (218.3)	5.63 (143)	1.37 (34.7)	2.33 (1.055)

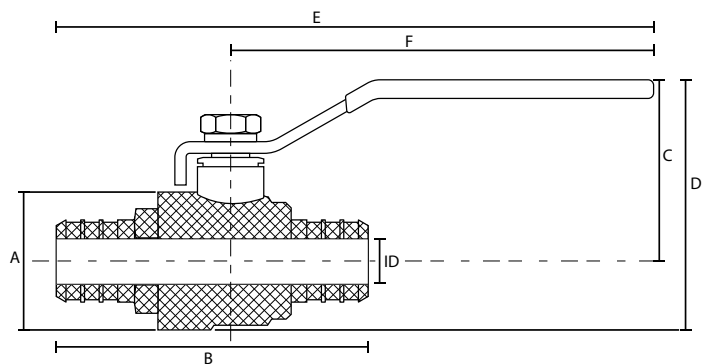
Technical Data

Materials

Specifications

Body	No Lead (C46500) Brass
Seat	PTFE
Ball	Stainless steel
Packing	PTFE
O-ring	NBR
Stem	Brass
Handle nut	Plated steel
Lock washer	Plated steel
Handle	Plated steel
Packing nut	Brass
Cap	No Lead (C46500) Brass

Operating pressure rating 180°F @ 100 psi
(82.2°C @ 0.69 MPa)



Listings

IAPMO cUPC
 UPC
 NPCC

Standards

ASTM F1807 compliant
 IAPMO/ANSI Z1157
 NSF/ANSI 14
 NSF/ANSI 61
 NSF/ANSI 372

The use of PEX tubing in a potable hot-water plumbing system with an operating temperature above 140°F (60°C) or system pressure above 80 psig (550 kPaG) or highly aggressive water quality or any combination thereof can significantly reduce the service life of the tubing.

HeatLink requires following the guidelines described in Plastics Pipe Institute TN-53, Guide to Chlorine Resistance Ratings of PEX Pipes and Tubing for Potable Water Applications and HeatLink INFO 37, Domestic Hot Water Recirculation Systems.

Installation

Installation must follow all of HeatLink's instructions and guidelines.

Related Documents

- HeatLink Limited Plumbing Warranty