

Job or Customer :	
Location :	
Engineer :	
<input type="checkbox"/> Complies with Spec <input type="checkbox"/> Alternate	Notes :
Contractor :	
HeatLink Rep :	
Submitted By :	Date :
Approved By :	Date :
P.O. Number :	Date :

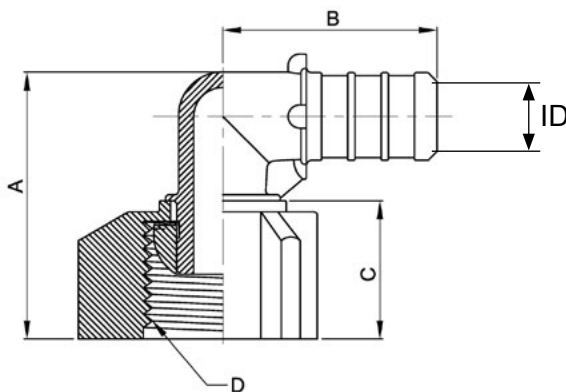
Description

High Performance Polymer PEX Insert × FNPT swivel elbow adapters.

The use of PEX tubing in a potable hot-water plumbing system with an operating temperature above 140°F (60°C) or system pressure above 80 psig (550 kPaG) or highly aggressive water quality or any combination thereof can significantly reduce the service life of the tubing.

HeatLink requires following the guidelines described in Plastics Pipe Institute TN-53, Guide to Chlorine Resistance Ratings of PEX Pipes and Tubing for Potable Water Applications and HeatLink INFO 37, Domestic Hot Water Recirculation Systems.

Qty	Stk. #	Column 1	Dimensions in/(mm)				ID	Weight lbs/(kg)
			A	B	C	D		
	18605	1/2" PEX × 1/2" FNPT	1.69 (42.9)	1.23 (31.2)	0.89 (22.6)	1/2" FNPT	0.315 (8.0)	0.0278 (0.0126)



Technical Data

	Specifications
Material	Modified Polyphenylsulfone
Operating pressure rating	180°F @ 100 psi (82.2°C @ 0.69 MPa)

Listings
 cNSFus-pw
 U.P. Code

Codes
 IAPMO UPC

Standards
 ASTM F877
 ASTM F2159
 CSA B137.5
 NSF/ANSI 14
 NSF/ANSI 61
 NSF/ANSI 372

Installation

Installation must follow all of HeatLink's instructions and guidelines.

Related Documents

- PEX-a Potable Water Press System Installation Guide (L3235)
- HeatLink Limited Plumbing Warranty