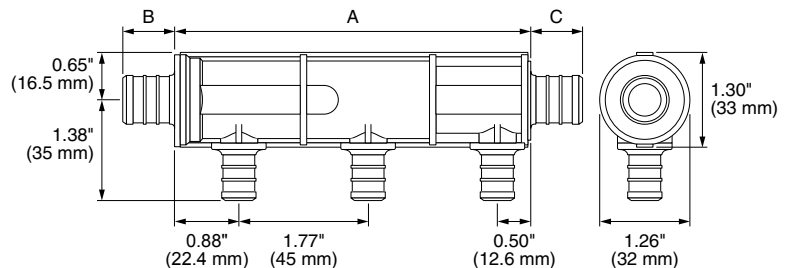
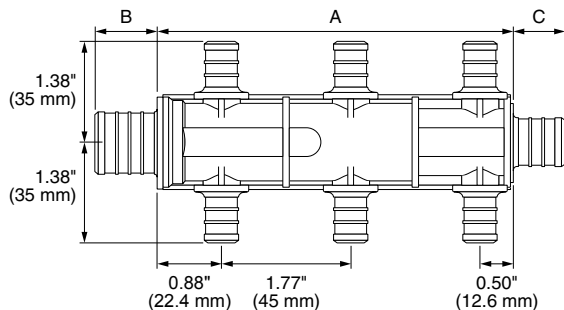


Job or Customer :	
Location :	
Engineer :	
<input type="checkbox"/> Complies with Spec <input type="checkbox"/> Alternate	Notes :
Contractor :	
HeatLink Rep :	
Submitted By :	Date :
Approved By :	Date :
P.O. Number :	Date :

Description

Open on both ends with 3/4" or 1" PEX insert connections. 1/2" branches in single row or opposing rows.
The use of PEX tubing in a potable hot-water plumbing system with an operating temperature above 140°F (60°C) or system pressure above 80 psig (550 kPaG) or highly aggressive water quality or any combination thereof can significantly reduce the service life of the tubing.
HeatLink requires following the guidelines described in Plastics Pipe Institute TN-53, Guide to Chlorine Resistance Ratings of PEX Pipes and Tubing for Potable Water Applications and HeatLink INFO 37, Domestic Hot Water Recirculation Systems.

Qty	Stk. #	# of ports	Inlet	Outlet	Dimensions in/(mm)			Weight
					A	B	C	
	14203	3	3/4"	3/4"	4.92" (125 mm)	0.71" (18 mm)	0.71" (18 mm)	0.119 lb (0.054 kg)
	14204	4	3/4"	3/4"	6.69" (170 mm)	0.71" (18 mm)	0.71" (18 mm)	0.150 lb (0.068 kg)
	14703	3	1"	3/4"	4.92" (125 mm)	0.86" (21.8 mm)	0.71" (18 mm)	0.134 lb (0.061 kg)
	14704	4	1"	3/4"	6.69" (170 mm)	0.86" (21.8 mm)	0.71" (18 mm)	0.165 lb (0.075 kg)
	14706	6	1"	3/4"	10.24" (260 mm)	0.86" (21.8 mm)	0.71" (18 mm)	0.227 lb (0.103 kg)
	14708	8	1"	3/4"	13.78" (350 mm)	0.86" (21.8 mm)	0.71" (18 mm)	0.289 lb (0.131 kg)
	14233	3+3	3/4"	3/4"	4.92" (125 mm)	0.71" (18 mm)	0.71" (18 mm)	0.128 lb (0.058 kg)
	14244	4+4	3/4"	3/4"	6.69" (170 mm)	0.71" (18 mm)	0.71" (18 mm)	0.165 lb (0.075 kg)
	14733	3+3	1"	3/4"	4.92" (125 mm)	0.86" (21.8 mm)	0.71" (18 mm)	0.128 lb (0.058 kg)
	14744	4+4	1"	3/4"	6.69" (170 mm)	0.86" (21.8 mm)	0.71" (18 mm)	0.165 lb (0.075 kg)



Technical Data

Specifications	
Material	Modified Polyphenylsulfone
Operating Pressure rating	180°F @ 100psi (82.2°C @ 0.69MPa)

Listings

ICC-ES PMG 1087
 cNSFus-pw
 cQAlus P371

Codes

IMC
 IPC
 IRC
 NPC of Canada
 NSPC
 UMC
 UPC

Standards

ASTM E84
 ASTM F877
 ASTM F2159
 CSA B137.5
 NSF/ANSI 14
 NSF/ANSI 61
 NSF/ANSI 372
 ULC S102.2

Installation

Installation must follow all of HeatLink's instructions and guidelines.

Related Documents

- PEX-a F1960 Potable Water Expansion System Installation Guide (L3240)
- HeatLink Limited Plumbing Warranty