

Job or Customer :	
Location :	
Engineer :	
<input type="checkbox"/> Complies with Spec <input type="checkbox"/> Alternate	Notes :
Contractor :	
HeatLink Rep :	
Submitted By :	Date :
Approved By :	Date :
P.O. Number :	Date :

**Description**

Closed one end and 3/4" or 1" PEX insert on the other end. 1/2" branches in single row or opposing rows.

**Technical Data**

Material:..... Modified Polyphenylsulfone  
Operating Pressure Rating:..... 180°F @ 100 psi (82.2°C @ 0.69 MPa)

**Listings**

ICC-ES PMG 1087  
cNSFus-pw  
cQAlus P371

**Standards**

ASTM E84  
ASTM F877  
ASTM F2159  
CSA B137.5  
NSF/ANSI 14  
NSF/ANSI 61  
NSF/ANSI 372  
ULC S102.2

**Codes**

IMC  
IPC  
IRC  
NPC of Canada  
NSPC  
UMC  
UPC

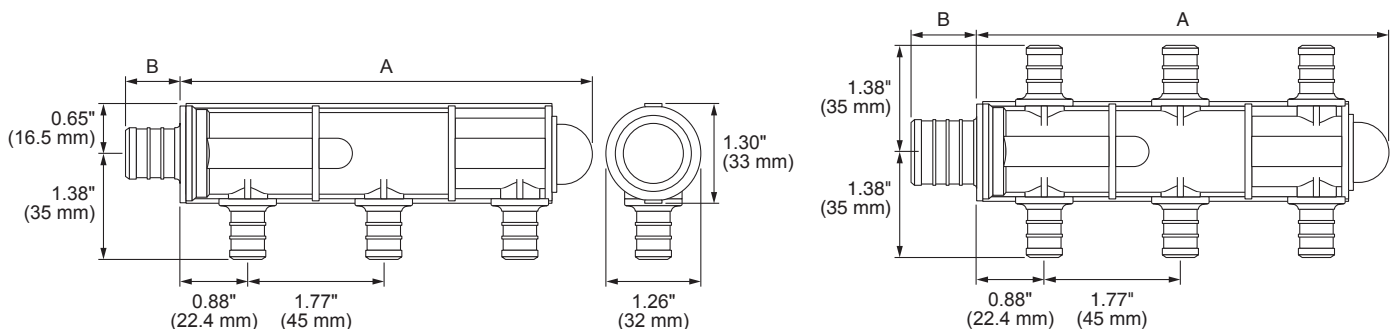
Qty	Stk. #	# of ports	Inlet	Outlet	Dimensions		Weight
					A	B	
	13203	3	3/4"	closed	5.43" (138 mm)	0.71" (18 mm)	0.117 lb (0.053 kg)
	13204	4	3/4"	closed	7.20" (183 mm)	0.71" (18 mm)	0.148 lb (0.067 kg)
	13206	6	3/4"	closed	10.75" (273 mm)	0.71" (18 mm)	0.227 lb (0.103 kg)
	13208	8	3/4"	closed	14.29" (363 mm)	0.71" (18 mm)	0.295 lb (0.134 kg)
	13806	6	1"	closed	10.75" (273 mm)	0.86" (21.8 mm)	0.216 lb (0.098 kg)
	13808	8	1"	closed	14.29" (363 mm)	0.86" (21.8 mm)	0.284 lb (0.129 kg)
	13833	3+3	1"	closed	5.43" (138 mm)	0.86" (21.8 mm)	0.132 lb (0.060 kg)
	13844	4+4	1"	closed	7.20" (183 mm)	0.86" (21.8 mm)	0.165 lb (0.075 kg)

**Installation**

Installation must follow all of HeatLink's instructions and guidelines.

**Related Documents**

- PEX-a Potable Water Press System Installation Guide (L3235)
- HeatLink Limited Plumbing Warranty



*This page is intentionally blank.*