

Job or Customer :	
Location :	
Engineer :	
<input type="checkbox"/> Complies with Spec <input type="checkbox"/> Alternate	Notes :
Contractor :	
HeatLink Rep :	
Submitted By :	Date :
Approved By :	Date :
P.O. Number :	Date :

Description

This surface mounted thermometer is used to measure surface temperatures of metallic piping. The strap-on thermometers can be mounted on pipe sizes ranging from 3/8" to 1-1/2". Suggested applications: Use on stainless steel manifolds or supply and return piping to measure water temperatures.

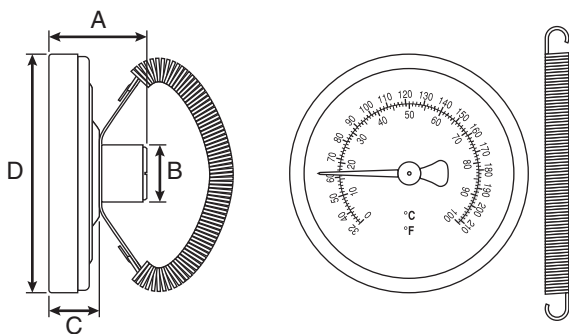
Technical Data

Measuring Element:..... Bimetal spiral
 Accuracy Class:..... 2 (EN 13190)
 Working temperature:..... Full scale value
 Material - Dial: Aluminum, white - dial marking red & black
 Material - Pointer: Plastic, black
 Material - Housing: Sheet steel, galvanised
 Material - Push on bezel:..... Sheet steel, nickel plated
 Material - Front glass:..... Plastic

Standards / Listings

n/a

Qty	Stk. #	Dimension				Weight
		A	B	C	D	
	76940	1" (25 mm)	1/2" (13.5 mm)	5/8" (15 mm)	2-1/2" (63 mm)	0.18 lb 80 g



Installation

Installation must follow all of HeatLink's instructions and guidelines.

Related Documents

- Component Warranty