

Job or Customer :	
Location :	
Engineer :	
<input type="checkbox"/> Complies with Spec <input type="checkbox"/> Alternate	Notes :
Contractor :	
HeatLink Rep :	
Submitted By :	Date :
Approved By :	Date :
P.O. Number :	Date :

Description

These actuators allow for additional room temperature control in conjunction with a room thermostat by mounting on a TwistSeal™ supply manifold module (56230), Stainless Steel Manifold (56231), HeatLink® 62000 & 63000 series zone valves (56231), or TwistSeal™ Multiport Manifold (56232). Comes complete with end switch to allow pump and/or boiler switching.

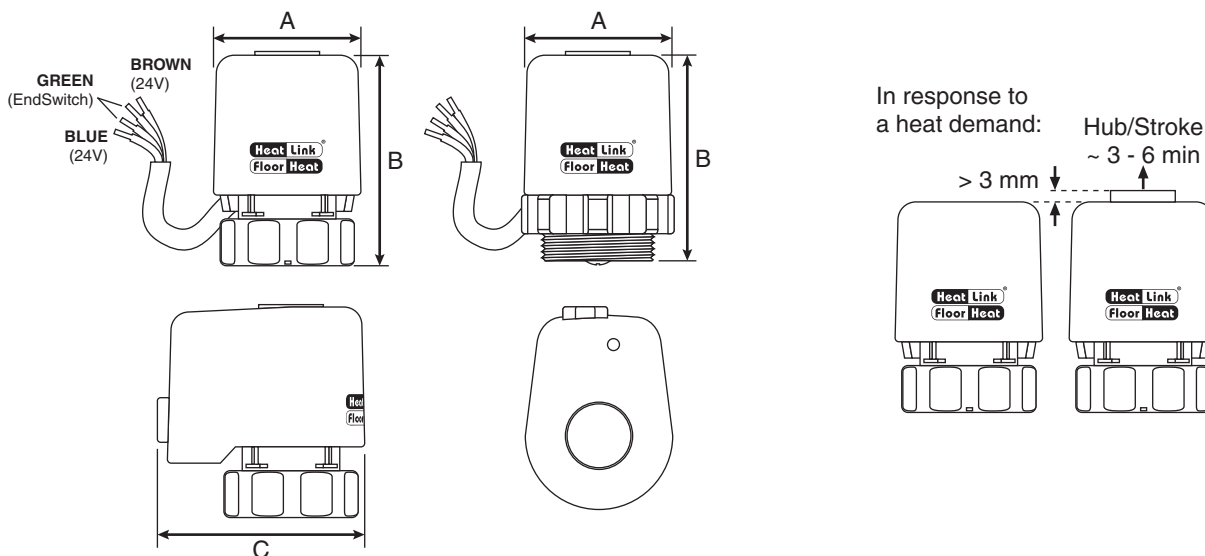
Technical Data

Operating Voltage:..... 24 V(ac)
 Power Consumption: 2 VA
 Max. Current..... 230 mA
 Type:..... Normally Closed
 Operating Temperature:..... -5°C to 60°C / 23°F to 138°F
 Protection Class: IP 40
 Force: 90 N
 Cable Length: 1 m / 3.28 ft

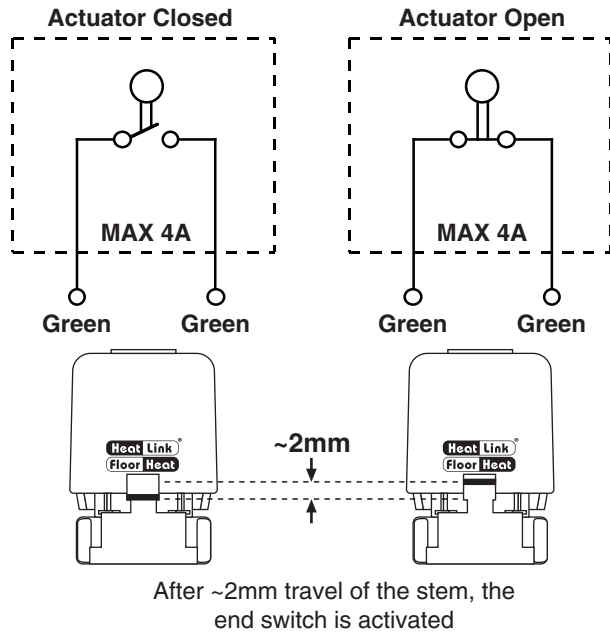
Standards / Listings

CE

Qty	Valve	Stk. #	Dimension			Weight
			A	B	C	
	TwistSeal® (55 mm) or TwistSeal® Mini (40 mm)	56230	1-1/2" (38 mm)	2-3/16" (56 mm)	2-3/16" (55 mm)	0.35 lb 160 g
	Zone Valve or Stainless Steel Manifold	56231	1-1/2" (38 mm)	2-3/16" (56 mm)	2-3/16" (55 mm)	0.35 lb 160 g
	TwistSeal® Mini Multiport	56232	1-1/2" (38 mm)	2-3/16" (55 mm)	2-3/16" (55 mm)	0.35 lb 160 g



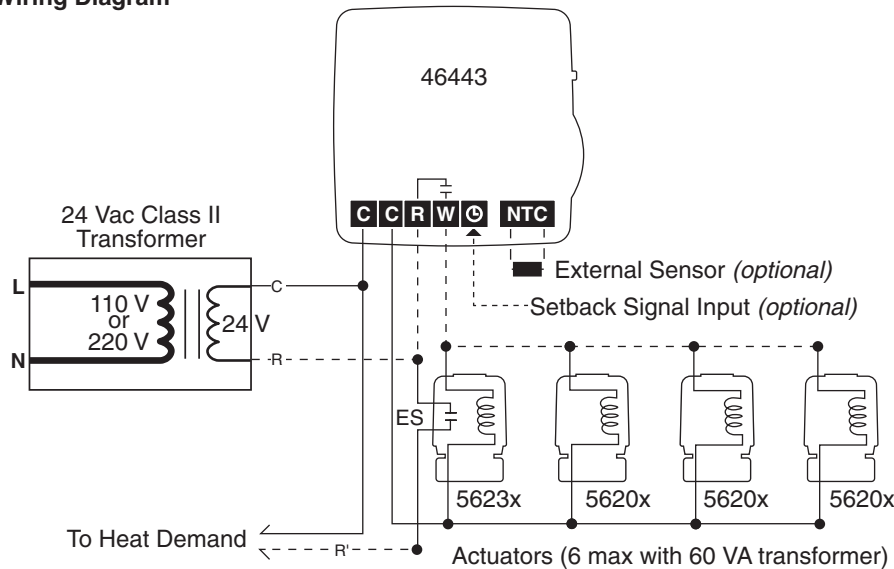
End Switch Position



Should actuators with end switch be used instead of StatLink, there also exists the possibility to adjust the switching point on the actuator. Turn the screw in by 1/2 of a turn to for a reasonable adjustment.

Always make sure that the end switch is still switching on and off. Due to the tolerances involved some actuators may require more of less of an adjustment. Note: Pushing down on the screw may trigger it to switch, this is not the actual switching point. Always test the switching point with the screwdriver removed.

Sample Wiring Diagram



Note: If there are >5 actuators for 1 zone, it may be more cost effective to have a separate manifold and use an actuator on a zone valve.

Installation

Installation of the thermostat must follow all of HeatLink's instructions and guidelines, including those in the StatLink Technical Guide.

Related Documents

- StatLink Technical Guide (L3710)
- StatLink Brochure (L3330)
- Component Warranty