

Job or Customer :	
Location :	
Engineer :	
<input type="checkbox"/> Complies with Spec <input type="checkbox"/> Alternate	Notes :
Contractor :	
HeatLink Rep :	
Submitted By :	Date :
Approved By :	Date :
P.O. Number :	Date :

Description

Digital Heat/Cool Timer Thermostat with a fully menu driven large digital display provides proportional integral temperature regulation for maximum comfort and efficiency. Offers adjustable characteristics for optimization for various system types (high mass, low mass, baseboard, fan coil and cooling). Room, floor or combined sensor operation with an optional external sensor. Take control with the easy to program 7 day 24 hour timer utilizing 9 preset programs and the ability to program 4 additional user programs. This thermostat is capable of generating a setback signal that can be best utilized with a StatLink® module and shared with other thermostats. Intelligent Temperature Control System for intelligent setback functionality. Menu selectable standard/automatic/setback/freeze protection operation. Heat, cool, fan, or automatic modes of operation. Optional pump exercise functionality

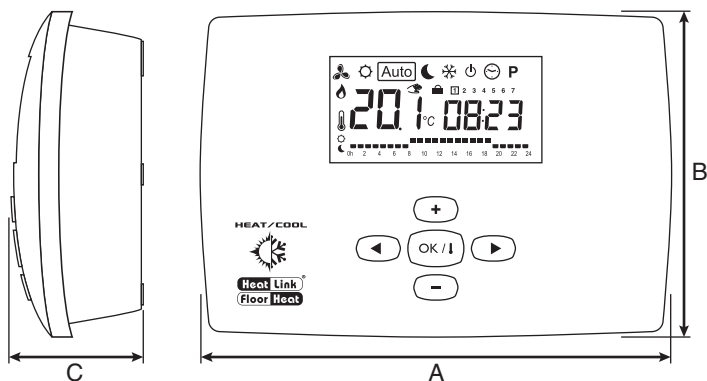
Technical Data

Operating Voltage:..... 24V(ac)
 Power Consumption: 3.5 VA max
 Operating Temperature:..... 0°C to 50°C / 32°F to 122°F
 Setting Temperature: 5°C to 30°C / 41°F to 86°F
 Differential at 20°C / 68°F: 0.5°C / 0.9°F
 Output:..... 15W triac (heating)
 100W relay (cooling)
 Protection Class: IP 30
 Temperature Sensor:..... 10kΩ NTC thermistor
 Program Backup:..... Indefinitely
 Clock Backup:..... 1 day

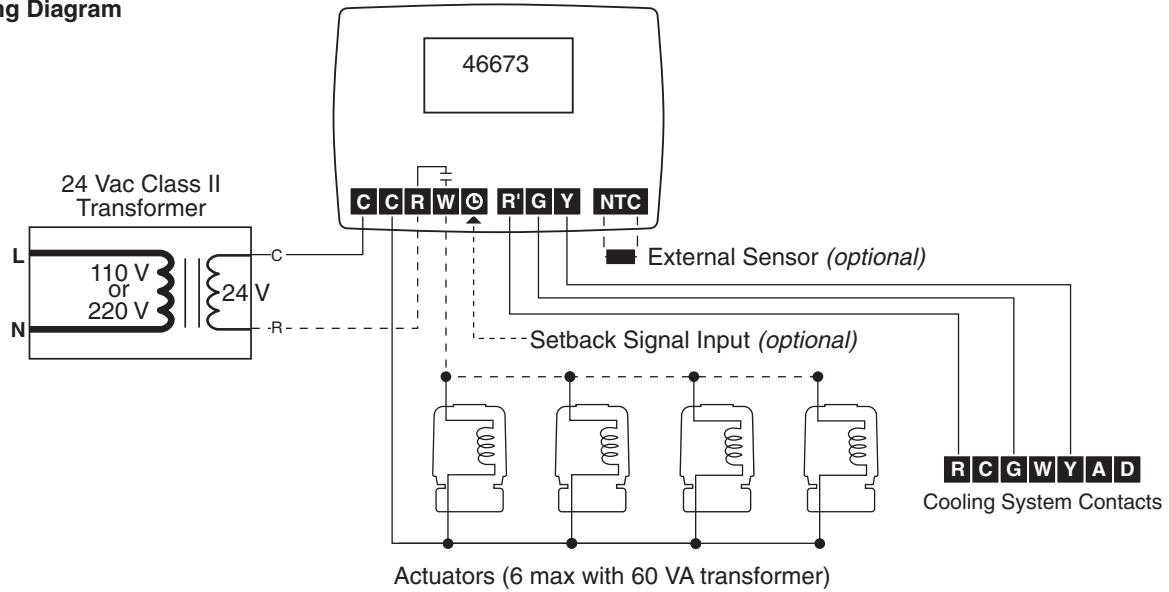
Standards / Listings

CE
 Meets Class B Canadian ICES FCC
 Part 15

Qty	Stk. #	Dimensions			Weight
		A	B	C	
	46673	5" (125 mm)	3-3/8" (86 mm)	1-3/8" (35 mm)	7.4 oz 210 g



Sample Wiring Diagram



Installation

Installation of the thermostat must follow all of HeatLink's instructions and guidelines, including those in the thermostat installation instructions, and StatLink Technical Guide.

Related Documents

- Digital Heat/Cool Timer Thermostat Installation Instructions (L646673)
- StatLink Technical Guide (L3710)
- StatLink Brochure (L3330)
- Component Warranty