

Job or Customer :	
Location :	
Engineer :	
<input type="checkbox"/> Complies with Spec <input type="checkbox"/> Alternate	Notes :
Contractor :	
HeatLink Rep :	
Submitted By :	Date :
Approved By :	Date :
P.O. Number :	Date :

Description

Thermostat with a fully menu driven large digital display provides proportional integral temperature regulation. Screw terminal connection for use with standard thermostat wire. Adjustable manual or automatic (external timer) setback. Offers adjustable characteristics for optimization for various system types (high mass, low mass, baseboard, fan coil and cooling). Room, floor or combined sensor operation with an optional external sensor. Menu selectable standard/automatic/setback/freeze protection operation. Optional pump exercise functionality.

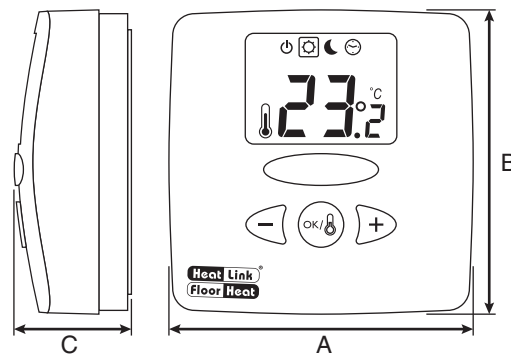
Technical Data

Operating Voltage:..... 24Vac
 Power Consumption: 0.5 VA max
 Operating Temperature:..... 0°C to 50°C / 32°F to 122°F
 Setting Temperature: 5°C to 35°C / 41°F to 95°F
 Measured Temperature Precision:..... 0.1°C / 0.2°F
 Output:..... 15W triac
 Protection Class: IP 30
 Temperature Sensor:..... 10kΩ NTC thermistor

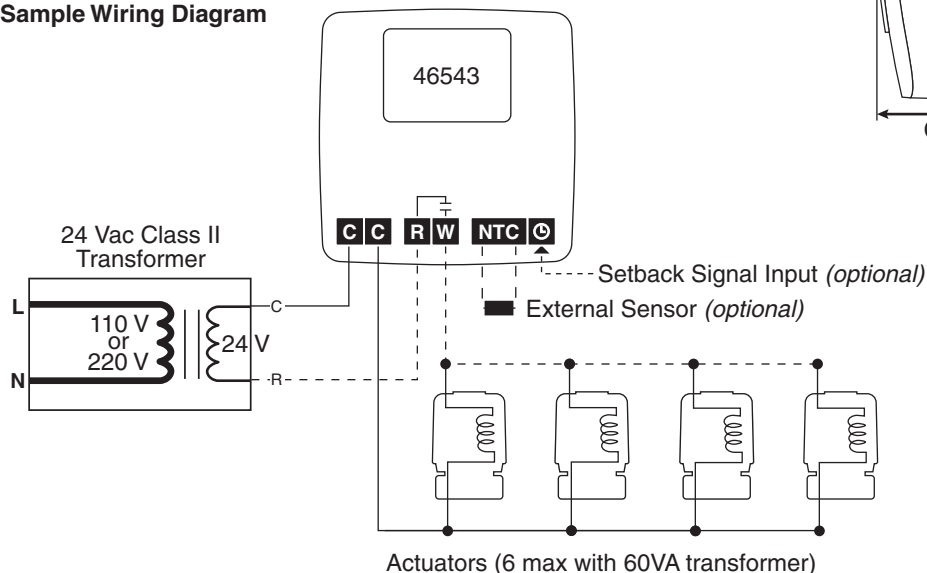
Standards / Listings

CE
 Meets Class B Canadian ICES FCC
 Part 15

Qty	Stk. #	A	B	C	Weight
	46543	3-1/8" (80 mm)	3-1/8" (80 mm)	1-1/4" (31 mm)	4.6 oz 130 g



Sample Wiring Diagram



Installation

Installation of the thermostat must follow all of HeatLink's instructions and guidelines, including those in the thermostat installation instructions, and StatLink Technical Guide.

Related Documents

- Digital Thermostat Installation Instructions (L646543)
- StatLink Technical Guide (L3710)
- StatLink Brochure (L3330)
- Component Warranty