

Job or Customer :	
Location :	
Engineer :	
<input type="checkbox"/> Complies with Spec <input type="checkbox"/> Alternate	Notes :
Contractor :	
HeatLink Rep :	
Submitted By :	Date :
Approved By :	Date :
P.O. Number :	Date :

Description

Thermostat with large, easy to adjust dial, and heat demand LED provides analog electronic temperature regulation. Screw terminal connection for use with standard thermostat wire. 3 position operation selector switch: heat, manual or automatic (external timer) setback (of 4°C / 7°F). Internal or external sensor operation with an optional external sensor.

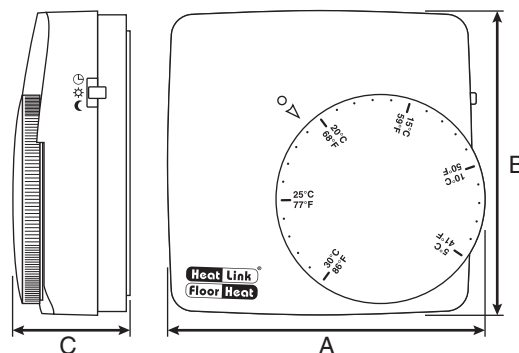
Technical Data

Operating Voltage:..... 24V(ac)
 Power Consumption:..... 0.5 VA max
 Operating Temperature:..... 0°C to 50°C / 32°F to 122°F
 Setting Temperature:..... 5°C to 35°C / 41°F to 95°F
 Measured Temperature Precision:..... 0.1°C / 0.2°F
 Output:..... 15W triac
 Protection Class:..... IP 30
 Temperature Sensor:..... 10kΩ NTC thermistor

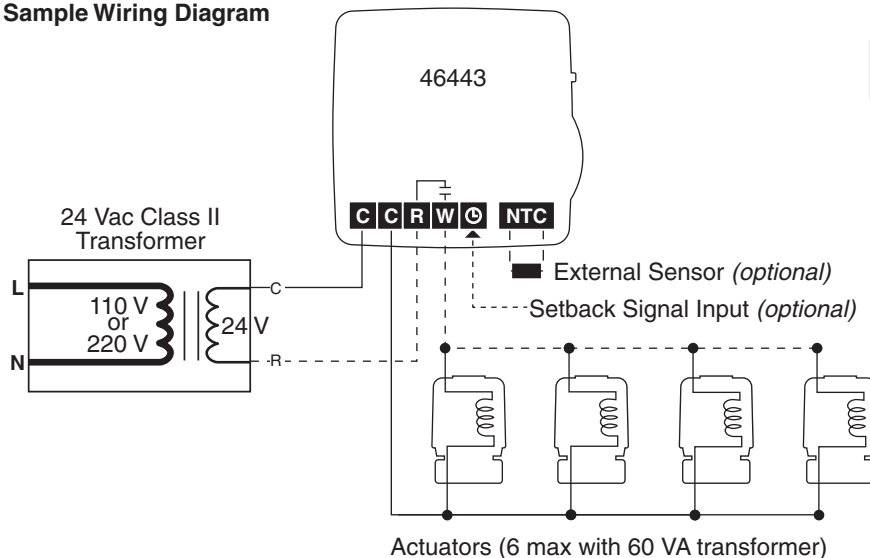
Standards / Listings

CE
 Meets Class B Canadian ICES FCC
 Part 15

Qty	Stk. #	Dimensions			Weight
		A	B	C	
	46443	3-3/8" (84 mm)	3-1/8" (80 mm)	1-1/4" (31 mm)	3.5 oz 100 g



Sample Wiring Diagram



Installation

Installation of the thermostat must follow all of HeatLink's instructions and guidelines, including those in the thermostat installation instructions, and StatLink Technical Guide.

Related Documents

- Electronic Thermostat Installation Instructions (L646443)
- StatLink Technical Guide (L3710)
- StatLink Brochure (L3330)
- Component Warranty