

Job or Customer :	
Location :	
Engineer :	
<input type="checkbox"/> Complies with Spec <input type="checkbox"/> Alternate	Notes :
Contractor :	
HeatLink Rep :	
Submitted By :	Date :
Approved By :	Date :
P.O. Number :	Date :

### Description

This snow/ice sensor in conjunction with the 31680, activates and controls a snow melting system based on moisture (snow/ice) and slab temperature. The sensor measures the slab temperature, sensor surface temperature, and sensor surface moisture level. This control is not designed as a simple detection device and will not operate properly in an unheated slab.

### Technical Data - 30090 Sensor

Sensor Ambient Temperature: ...-30 to 170°F (34 to 77°C)  
 Sensor Material: ..... Silicon brass  
 Sensor: ..... NTC thermistor, 10kΩ @ 77°F (25°C ± 0.2°C), β =3892  
 Cable Material: ..... 5 conductor stranded wire with polyethylene jacket  
 Cable Length: ..... 65' (20 m)  
 Load Rating: ..... 15,000 lb (66,723 N) distributed load, non-impact,  
 installed in concrete according to the manual

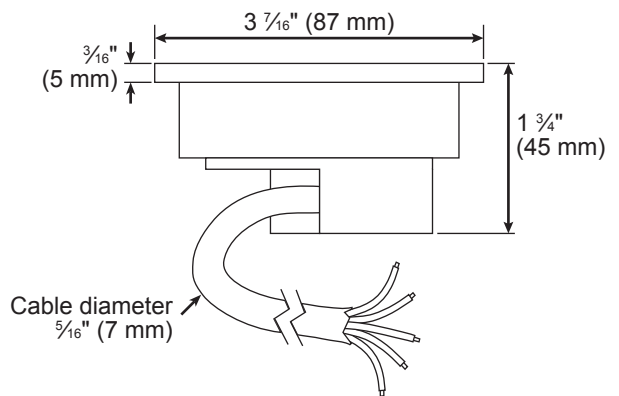
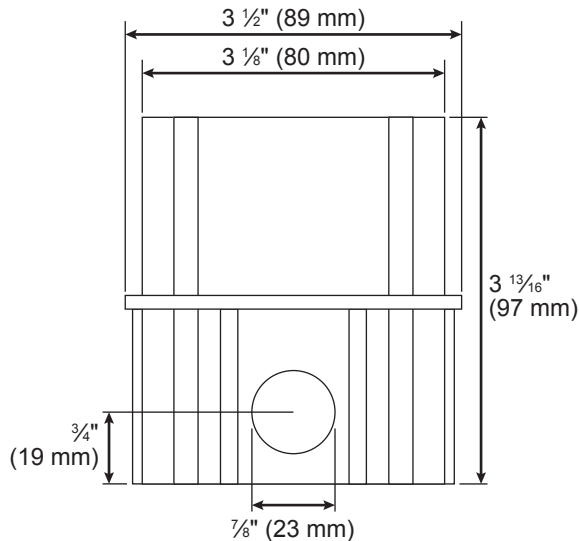
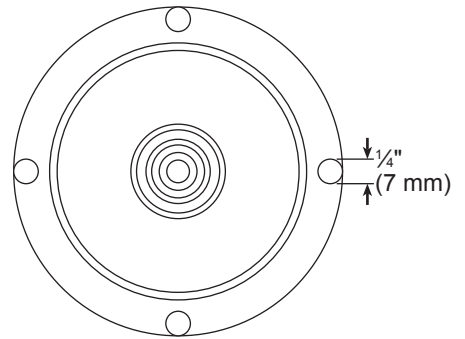
### Standards / Listings

CSA C US with applicable snow melting controls

### Technical Data - 30091 Socket

Socket Material:..... Silicon brass  
 Cap Material: ..... Polyethylene  
 Mounting Plate Material:..... Polyethylene  
 Load Rating: ..... 15,000 lb (66,723 N) distributed load, non-impact,  
 installed in concrete according to the manual

Qty	Stk. #	Weight
	30090	4.4 lb 2 kg
	30091	1.5 lb 0.67 kg



**Installation**

Installation must follow all of HeatLink's instructions and guidelines, including those in the installation instructions.

**Maintenance**

Maintenance must follow all of HeatLink's instructions and guidelines, including those in the installation instructions.

**Related Documents**

- Snow / Ice Detector Installation Instructions (L630090)
- HeatLink Limited Heating Warranty