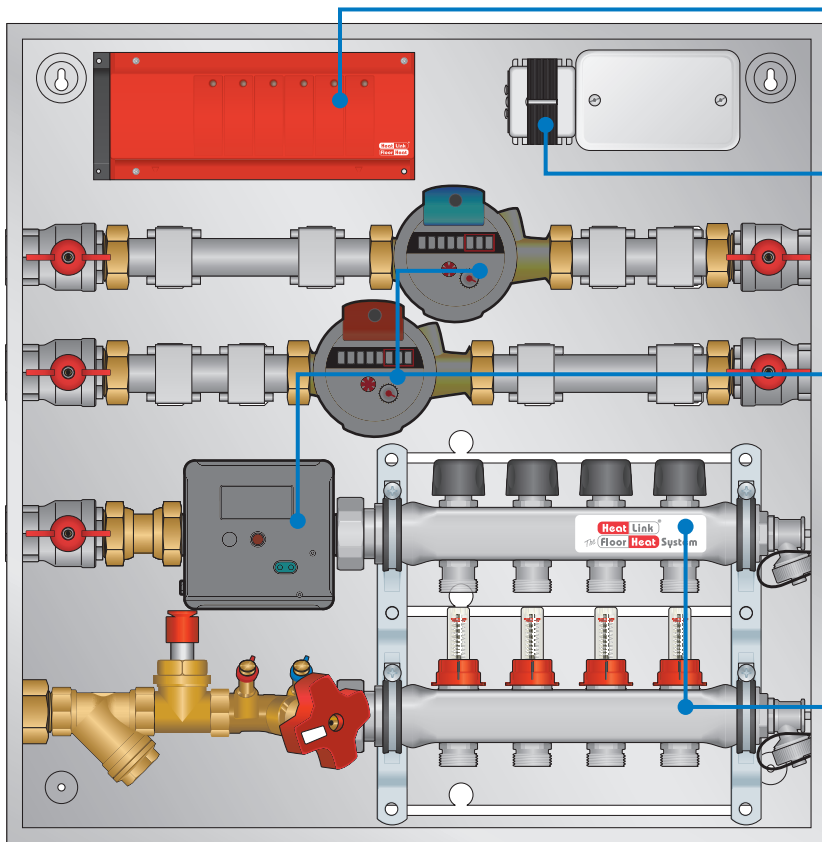




# Heat Link®

## Metering Panels



**StatLink® Base Module**  
The StatLink® base module connects each room thermostat to the corresponding actuator, allowing for easy comfort control of each zone.

**Pre-Wired 24V Transformer**  
The transformer is pre-wired to the StatLink® base module and is ready to be hard-wired to 120V.

**Water & BTU meters (not included)**  
Metering is available for just domestic hot & cold, just heating, or all three to suit your project needs.

**Stainless Steel Manifolds**  
The stainless steel manifolds supply hot water from the heat source to radiant floor systems, radiant baseboards, or fan coil units.

BTU-4 model shown

### Features:

- Recessed housing
- Stainless steel manifolds
- 1.5 usgpm circuit flow rate
- StatLink® base module
- Pre-wired 24V transformer

### Benefits:

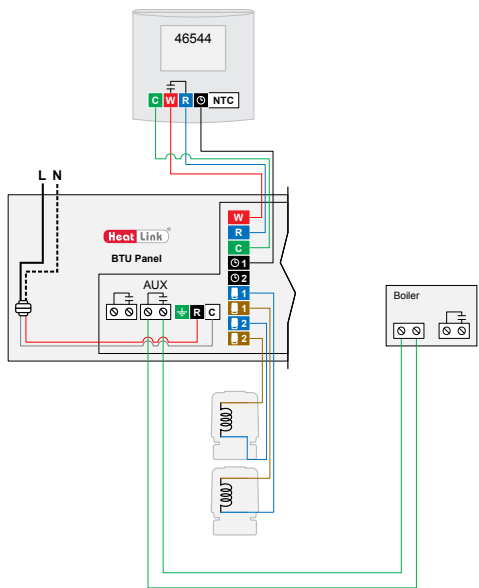
- Provides individual zone or suite metering and billing in multi-unit buildings.
- Can be used with a central heat source.
- A single location for all metering equipment.
- Pre-engineered panel design saves contractors time and labor.
- All supplied components are covered by a single warranty.
- Simplified wiring.

Model #	# of Loops
BTU-2	2
BTU-3	3
BTU-4	4

Up to 12 loops available - consult your HeatLink sales representative for details.

Panels ship with spool pieces, and are ready for system pressure testing. Meters sold separately.

L5827



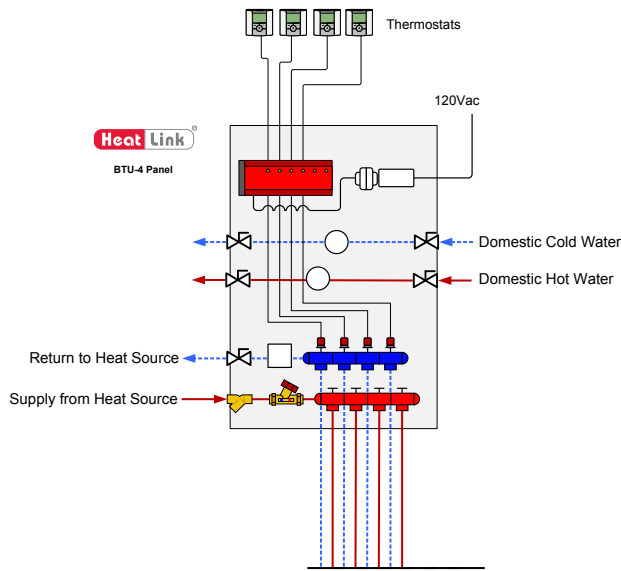
**Heat Link**  
www.heatlink.com  
1-866-661-5332

**Notes:**

- Drawings are for HeatLink suggested electrical schematics only! User must determine if electrical schematic will work for their particular application. User must also confirm all HeatLink schematics with manufacturer schematics of each particular control chosen.
- In all cases manufacturer equipment schematics will take precedence over HeatLink electrical schematics.
- Local codes, regulations, and authorities have final jurisdiction.

**Application:** BTU Metering Panel with Zone Valve Actuators  
**Date:** September 14, 2016

**Schematic #:** SCH-BTU-E002  
**Rough-in wiring see:**



**Heat Link**  
www.heatlink.com  
1-866-661-5332

**Notes:**

- Drawings are for HeatLink suggested system layout only! User must determine if system layout will work for their particular application.
- Air vents, expansion tanks, pressure relief valves, etc. for heat source as per local codes.
- Use isolation ball valves for all circuits and components.
- Local codes, regulations, and authorities have final jurisdiction.

**Heat Source:** Boiler  
**Panel(s):** BTU-2, BTU-3, BTU-4  
**Heat Load(s):** Radiant Heating  
**Date:** Sept. 14, 2016

**Schematic #:** SCH-BTU-M001  
**Rough-in wiring see:** SCH-MRIB-R001  
**Wiring detail see:** SCH-BTU-E001