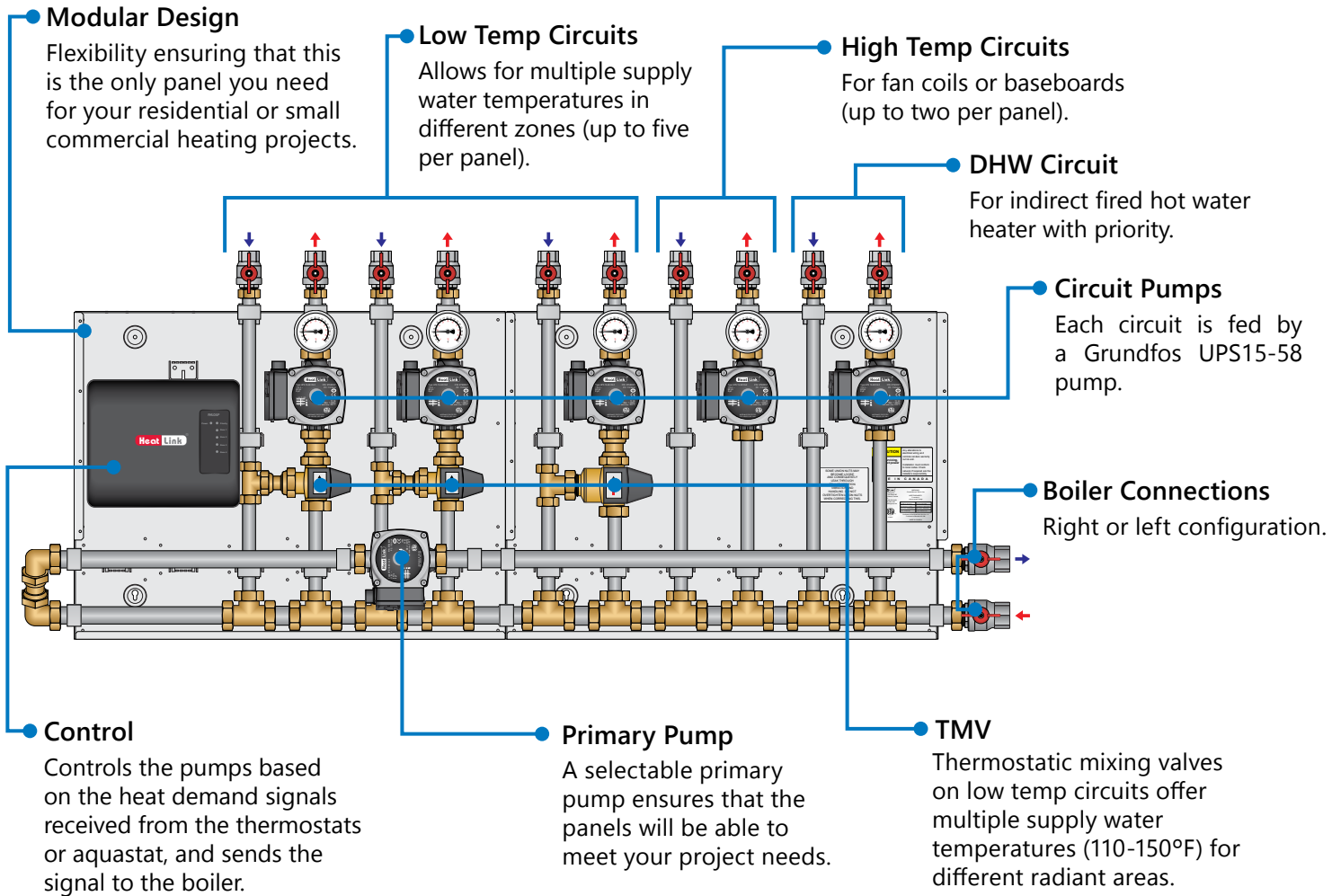


Heat Link[®]

TMP Multi Panels



Features:

- Grundfos UPS15-58, UPS26-99 or UPS26-150 primary pump.
- 50,000 to 300,000 BTU/hr depending on panel configuration.
- Numerous combinations of up to five circuits
 - one possible DHW circuit
 - up to two high temp circuit
 - up to five low temp mixing circuits
- Multiple supply water temperatures for different radiant areas.
- 5 -15 USgpm per circuit flow rate (depending on installed primary pump).

Benefits:

- Simple electrical wiring, thermometers, and isolation valves on all circuits on every panel.
- Modular flexibility for residential or small commercial heating projects - 2-5 circuits available.
- Right or left boiler connections can be installed on-site.
- Pre-engineered panel design saves contractors time and labor.
- All components are covered by a single warranty.

Panel Wiring

