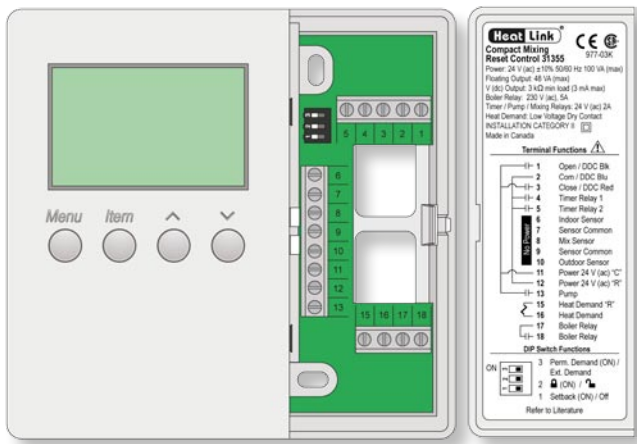




# Look What's New!



## Compact Mixing Reset Control #31355

Control Comparison	31320	31360	31360e	31355
<b>Powered Inputs</b>				
24 Vac Power	✓			✓
120/230 Vac Power		✓	✓	
Mix Demand	24 V(ac) and/or 24V(dc)	24-240 V(ac)	24 V(ac) or 24V(dc)	low voltage dry contact
<b>Sensor and Unpowered Inputs</b>				
Outdoor Sensor	✓	✓	✓	✓
Indoor Sensor	✓		✓	✓
Floor Sensor	✓			
Boiler Sensor	Return	Return	Supply or Return	
Mixing Sensor	Supply	Supply	Supply	Supply
Unoccupied Switch		✓	✓	Manual / Automatic (Timer)
<b>Outputs</b>				
Boiler Contact	240 V(ac)	240 V(ac)	230 V(ac)	230 V(ac)
Pump Contact	240 V(ac)	240 V(ac)	230 V(ac)	24 V(ac)
Mixing Actuator	0-10 V(dc)	Floating action (24 V(ac) powered)	Floating action (isolated)	floating action (24 V(ac) powered), 0-10 V(dc), 2-10 V(dc)
Timer				2 channels (24 V(ac))
<b>Features</b>				
Outdoor Reset	Reset Ratio	Reset Ratio	Characterized Heating Curve	Characterized Heating Curve
Setpoint Control		✓	✓	✓
Boiler Protection	Boiler Return Sensor	Boiler Return Sensor	Boiler Supply or Return Sensor	
Exercising	✓	✓	✓	✓
Purge	✓			✓
Flush	✓			
WWSD	✓	✓	✓	✓
Floor Warming	✓			
Setback Timer				2 channels
Boiler On	10-70%	30%	10% or 30%	10-70%
Boiler Off	0-60%	15%	5% or 15%	0-50%
Minimum Boiler On Time	0-8 min			3 min
Minimum Boiler Off Time	0-8 min			20 s
Access Levels	Advanced	Installer or Advanced	Installer or Advanced	User, Installer, or Advanced
Included Sensors	1 Outdoor, 1 Universal	1 Outdoor, 2 Universal	1 Outdoor, 2 Universal	1 Outdoor, 1 Universal

The 31355 Compact Mixing Reset Control regulates the supply water temperature of an automated mixing valve in order to provide outdoor reset or setpoint operation. The 31355 provides a floating action or a 0/2 – 10 V(dc) signal to adjust the mixing valve position. The 31355 also includes two separate night setback channels.

### Reset or Setpoint Operation

Reset characteristic set by the following:

- Indoor target occupied, unoccupied and sleep (setback temperatures used only when in single zone operation)
- Outdoor design
- Indoor design
- Mixing design with min and max
- Type of system
- WWSD
- Optional external indoor temperature sensor

### Outputs

- Valve operator (one of three options):
  - 0-10 V(dc)
  - 2-10 V(dc)
  - 24 V(ac) floating action
- Boiler (dry contact)
- Pump - 24 V(ac)
- 2 timer channels:
  - (in single zone operation, both channels follow Schedule 1)
  - 24 hour, 7 day or 5-1-1 (weekdays, Saturday & Sunday) schedules
  - Note: clock display is in 24-hour format only
  - 2 or 4 events per day/group

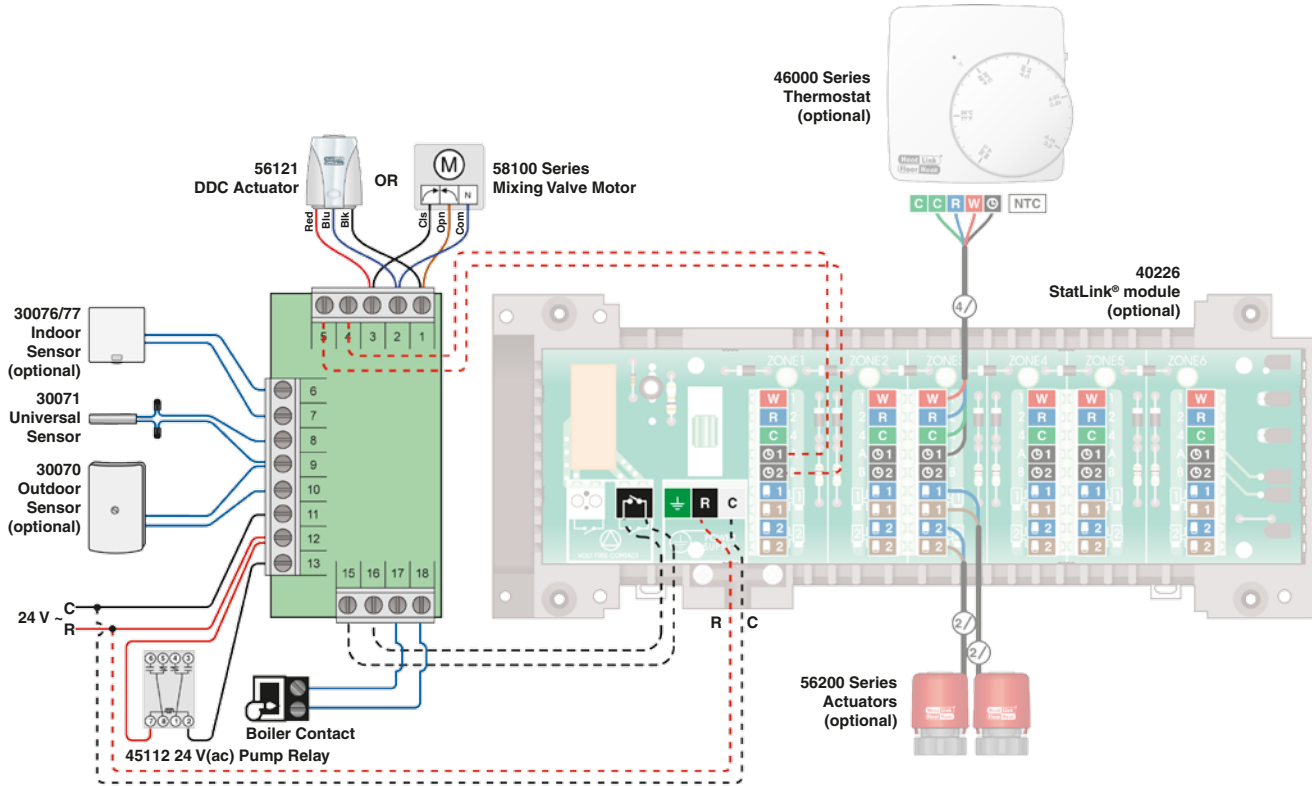
### Inputs

- Mixing supply sensor
- Outdoor sensor
- (not required for setpoint operation)
- Optional external indoor sensor
- Optional heat demand (low voltage dry contact)

# Technical Information

The 31355 control is designed to be used in single zone applications or in multiple zone applications with thermostats or the StatLink® system.

The connection to StatLink® is very simple. Both the heat demand signal to the control and the timer signals back to StatLink® are straight forward direct connections.



## Mixing Control 31355 Specification:

Packaged weight	600 g (1.3 lbs)
Enclosure	White PVC plastic
Dimensions	4-1/2" H x 4-11/16" W x 15/16" D (114 mm x 119 mm x 24 mm)
Ambient conditions	Indoor use only, 32 to 122°F (0 to 50°C), <90% RH non-condensing
Power	24 V(ac) ± 10% 50/60 Hz, 50 VA (max), 4.5 VA standby
Floating output	24 V(ac) 48 VA (max)
0/2 - 0 V (dc) output	2 kΩ minimum load (5 mA maximum current)
Boiler relay	230 V(ac) 5 A
Timer / Pump / Mixing relays	24 V(ac) 2 A
Pump Output	24 V(ac) 48 VA (max) powered output
Mixing demand	Low voltage dry contact
Sensors	NTC thermistor, 10 kΩ @ 77°F (25°C ± 0.2°C) β = 3892
included	Universal Sensor 30071 and Outdoor Sensor 30070
optional	Indoor Sensor 30076, 30077

The 31355 control has been approved to the following standards:

- CSA C22.2 No 24-93 Temperature Indicating & Regulating Equipment
- UL 873 Eleventh Edition Temperature Indicating & Regulating Equipment
- Control has been tested to meet CE requirements.

© HeatLink Group Inc. HeatLink and StatLink are registered trademarks of HeatLink Group Inc.

### Heat Link Canada

Manufactured & Distributed by HeatLink Group Inc.  
**Head Office:**  
 4603E - 13th Street NE  
 Calgary, AB, T2E 6M3  
 Toll Free: 1-800-661-5332 Phone: (403) 250-3432  
 Fax: 1-866-450-1155  
**Mississauga Office:**  
 1555 Bonhill Road, Unit #7  
 Mississauga, ON, L5T 1Y5  
 Toll Free: 1-800-661-5332 Phone: (905) 795-8289  
 Fax: 1-866-450-1155

### Heat Link China

Distributed by Cathay-Links International  
 Phone: 852-25693213  
 Fax: 852-25359271

### Heat Link Ireland

Distributed by Jamoni Ltd.  
 Phone: 057 - 932 4062  
 Fax: 057 - 932 4063  
 Free Phone: 1800-311338

### Heat Link Mexico

Distributed by Distribuidora Caisa S.A. de C.V.  
 Phone: (52) 3300-4400  
 Fax: (52) 3300-4406

### Heat Link USA

Distributed by HeatLink Group Inc.  
 Toll Free: 1-800-661-5332  
 Fax: 1-800-869-6098

www.heatlinkgroup.com