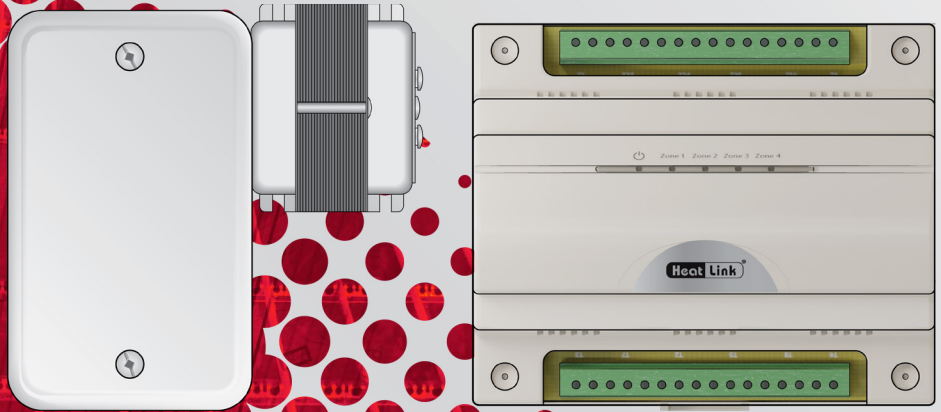




SSASL

Installation, Operation, and Maintenance Manual



Product Safety Information.....	2
Warnings	2
Servicing.....	2
Function.....	2
Wiring Instructions	3
Wiring Diagrams	4
SSASL, 2-wire actuators.....	4
SSASL + SSASLEM, 2-wire actuators.....	4
SSASL + SSASLEM, 4-wire and 2-wire actuators	5
Panel Control Sequence	5
LED Indications	5

Disclaimer

HeatLink Group Inc. shall not be responsible for errors in its brochures or printed materials. HeatLink Group Inc. reserves the right to alter its products at any time without notice, provided that alterations to products already on order shall not require material changes in specifications previously agreed upon HeatLink Group Inc. and the Purchaser. All trademarks in this material are property of the respective companies. HeatLink and the HeatLink logotype are trademarks of HeatLink Group Inc. All rights reserved.

Product Safety Information

Warnings

The zone control panel is for indoor use only and must be installed by a qualified installer/service technician. This product must be installed and operated in strict accordance with the terms set out in this manual and in accordance with the relevant requirements of the Local Authority Having Jurisdiction. Failure to comply will result in a void of warranty, and may also result in property damage, serious injury, or death.

Servicing

Prior to commencing installation of this panel it is necessary to read and understand all sections of this manual. The symbols below are used throughout this document to ensure proper operation of the panel, and your safety. Please pay attention to these symbols.



Warning
Possible Hazard



Warning
Live Power



Warning
Hot Pipes



Warning
Treated Water

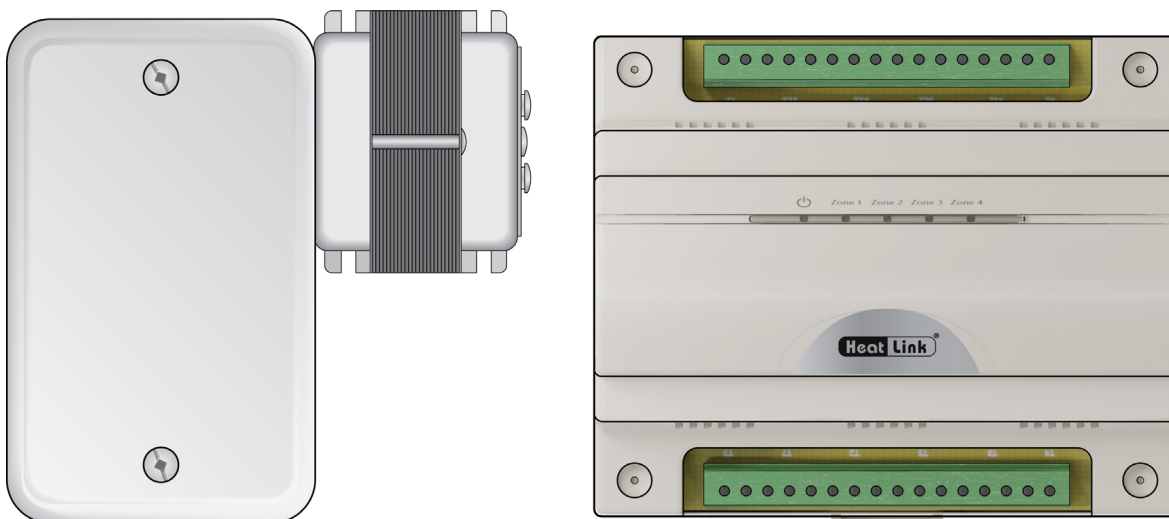


In order to avoid injury or death, switch off the power to the panel prior to inspecting or making connections to the terminal strip.

Function

Installed 40414 StatLink® 4 Zone Wiring Module, relays, and 24Vac transformer with wiring harness and terminal blocks.

The StatLink connects the wired thermostats and the corresponding thermal actuators (if selected).



Wiring Instructions



24V low voltage power may be supplied to the thermostat. Wiring of thermostat should be done by qualified electrician and should meet local codes and jurisdictions.



Step 1 Wire the thermostat connections as per the wiring diagram, using either 2 or 3-wire thermostats.

Step 2 Wire the Actuators to the module:

1. For 2-wire actuators, up to 3 actuators can be wired to each zone (max. 40mA, 24 VA).
A jumper must be installed between the R1 and R2 terminals.
Brown -> Y1
Blue -> Y2
2. For 4-wire (end switch) actuators, only one 4-wire actuator is needed per zone.
Brown -> Y1
Blue -> Y2
Green -> R1
Green -> R2

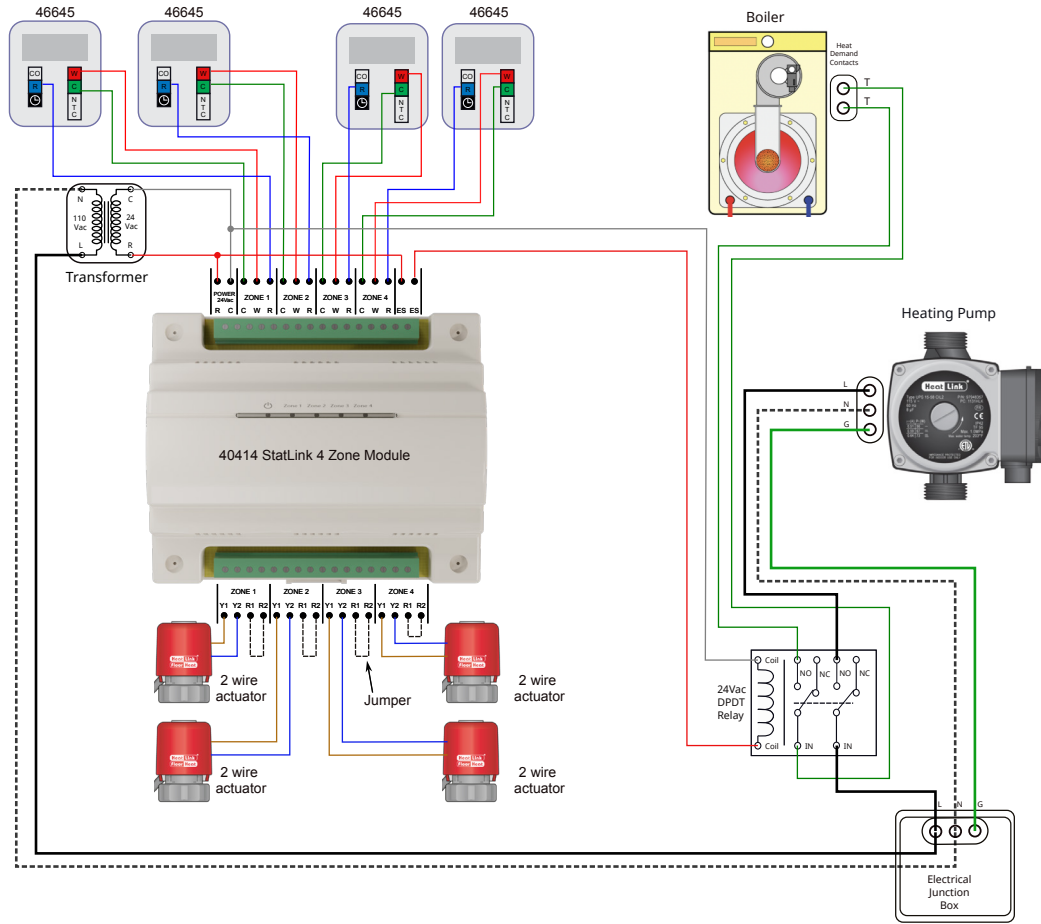
Step 3 Wire the boiler and pump relay to the end switch terminals.

Step 4 After ensuring it is not plugged in, wire the 24V power supply to the 24V terminals.

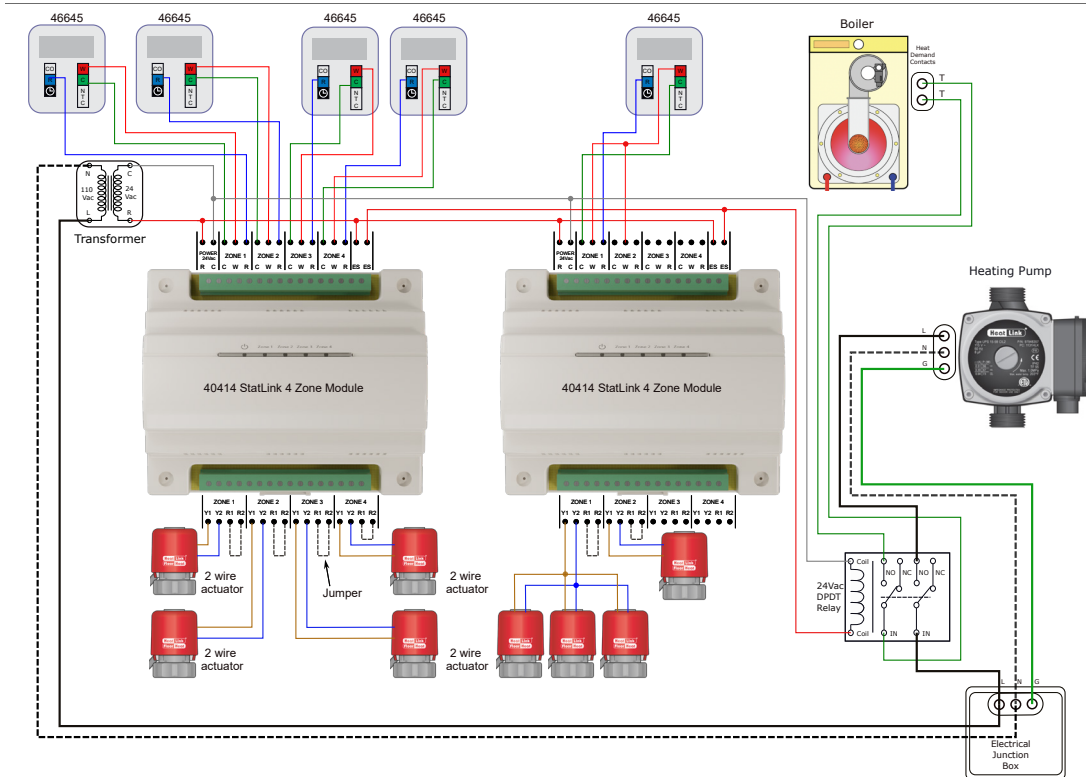
Step 5 The 40414 StatLink 4-zone module can be wired in sequence when more than 4 zones are needed (see page 2 for diagram).

Wiring Diagrams

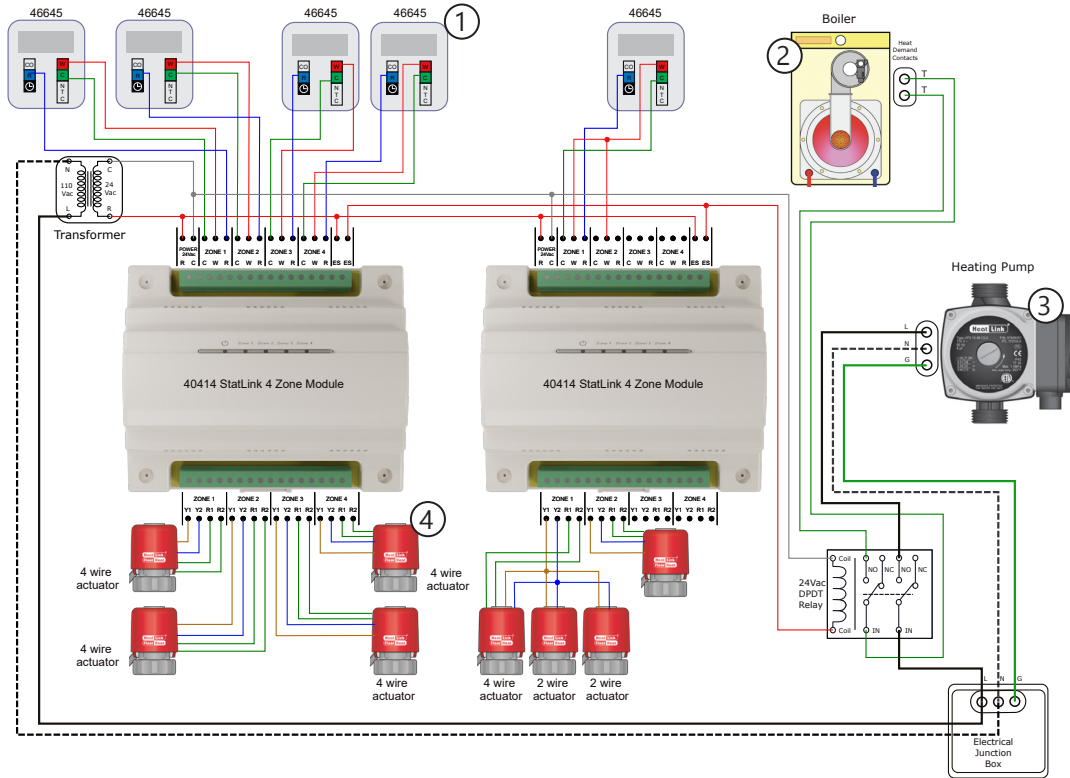
SSASL, 2-wire actuators



SSASL + SSASLEM, 2-wire actuators



SSASL + SSASLEM, 4-wire and 2-wire actuators



Panel Control Sequence

Step 1 When there is a call for heat from the thermostats ①, the end switch contacts will close, the boiler ② will be activated, the pump ③ will start, and the corresponding actuators ④ will open.

Note: This control does not feature a delay circuit. When using a 2-wire actuator, a call for heat will close the end switch contacts immediately. A pressure bypass valve is recommended.

When using 4-wire actuators, the module end switch contacts won't close until the actuator end switch closes (actuator open). This will delay pump and boiler activation.

Step 2 If a thermostatic head (SSATH) is installed, the thermostatic head controls the mixing valve to adjust the fluid temperature based on user settings (see page 6).

Step 3 When the heating requirement has been fulfilled, the end switch will open, the pump will stop and the boiler will shut off, and the actuators will close.

LED Indications

Label	Green LED	Orange LED
Power	Power ON	n/a
Zone 1	Call for Heat	Call for heat + end switch closed
Zone 2		
Zone 3		
Zone 4		



www.heatlink.com

November 22, 2023

Printed in Canada

©HeatLink Group Inc.