

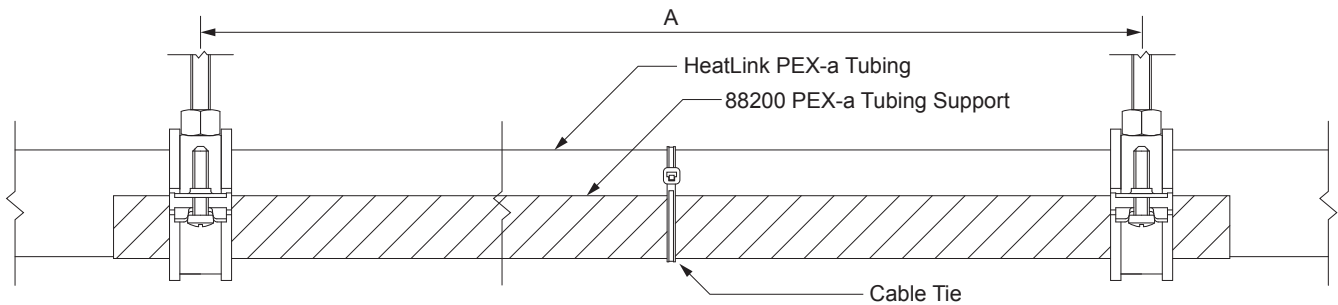
HeatLink® 88200 PEX-a tubing supports are self-gripping galvanized steel, and are ideal for all commercial potable and hydronic installations, maintaining alignment of tubing in *suspended applications*. The supports control the direction of expansion and prevent snaking, while allowing for more space between hanger placements.

HeatLink® recommends using copper tube size (CTS) hangers and supports designed for use with plastic pipe, e.g., plastic, coated, rubber, or foam lined, etc. Supports shall not compress, cut or abrade the tubing. Guides should be installed to allow the free movement of the tubing.

Support Spacing Guidelines

Nominal PEX-a Size	Tubing Support Part #	Support Length	Max. Support Spacing (A)
½"	88205	9 ft (2.7 m)	5 ft (1.5 m)
¾"	88222	9 ft (2.7 m)	5 ft (1.5 m)
1"	88228	9 ft (2.7 m)	6 ft (1.8 m)
1¼"	88235	9 ft (2.7 m)	7 ft (2.1 m)
1½"	88241	9 ft (2.7 m)	8 ft (2.4 m)
2"	88254	9 ft (2.7 m)	8 ft (2.4 m)

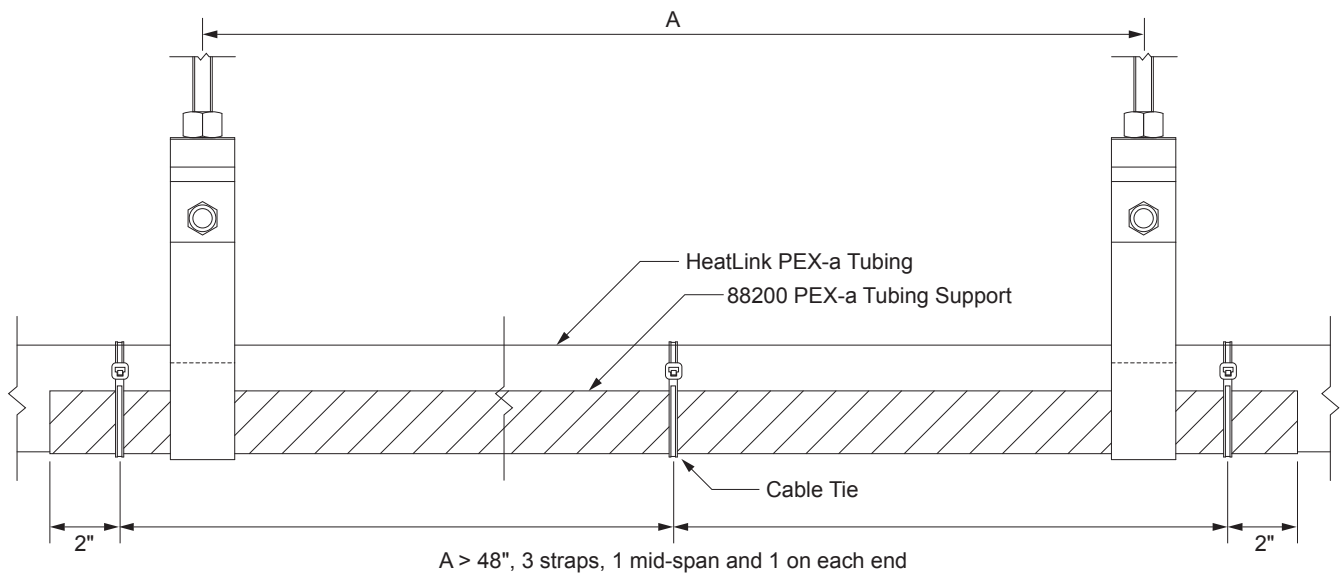
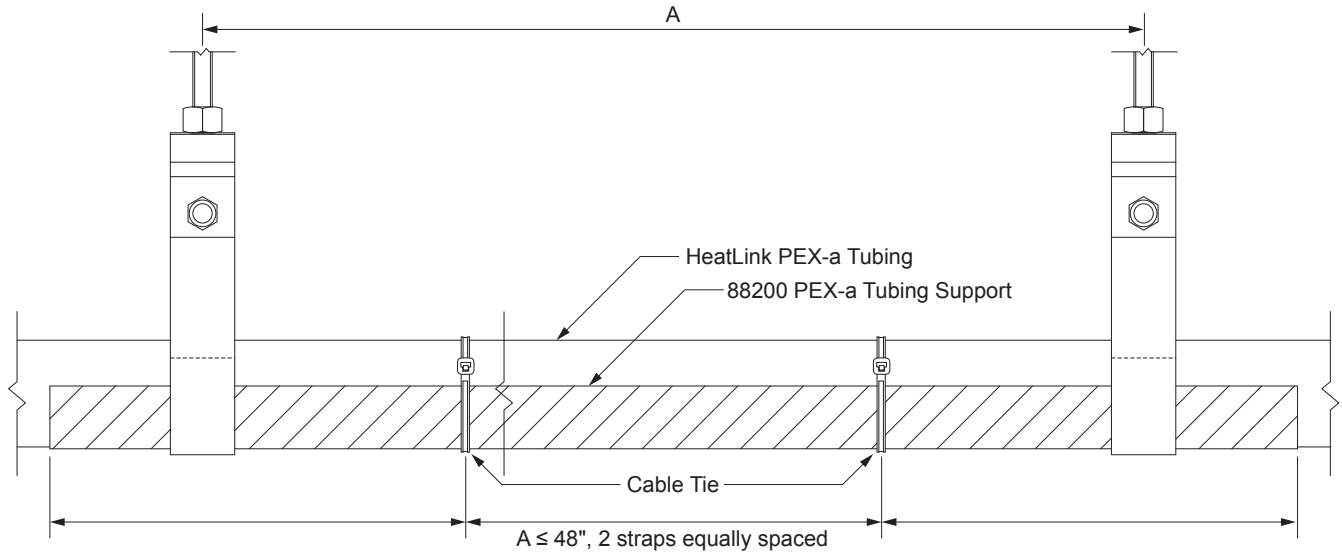
PEX Support with Clamps



If the distance between clamps (A) is greater than 48" inches, the PEX Support must be strapped mid-span to the PEX-a tubing with a cable tie or other strap suitable for use with PEX.

Support Spacing Guidelines (continued)

PEX Support with Hangers - Clevis or Loop style

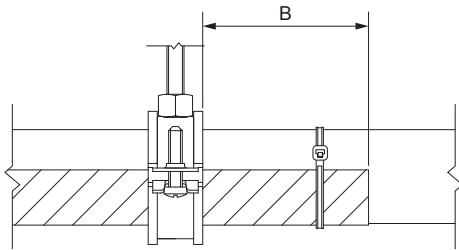


PEX Reinforcement Requirements

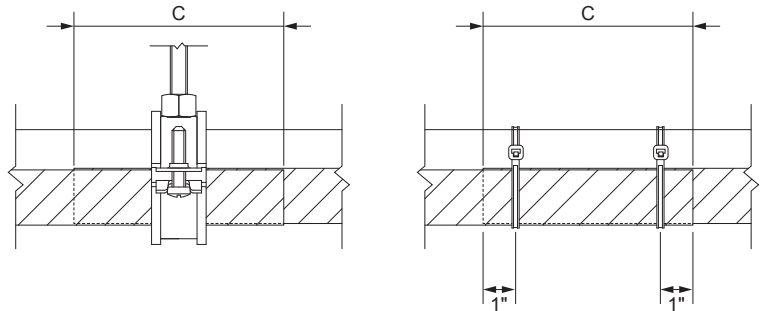
Overlap, cantilever, and minimum distance guidelines for hanger placement and tie straps on HeatLink® 88200 PEX-a tubing supports.

Nominal PEX-a Size	Max. Cantilever (B)	Min. Overlap (C)	Min. Overhang (D)	Min. Distance to Fitting (E)
1/2"	18" (0.5 m)	6" (0.15 m)	1" (25 mm)	1 1/4" (30 mm)
3/4"	18" (0.5 m)	6" (0.15 m)	1" (25 mm)	1 3/4" (45 mm)
1"	18" (0.5 m)	6" (0.15 m)	1" (25 mm)	2 1/4" (60 mm)
1 1/4"	18" (0.5 m)	6" (0.15 m)	1" (25 mm)	2 3/4" (70 mm)
1 1/2"	18" (0.5 m)	6" (0.15 m)	1" (25 mm)	3" (75 mm)
2"	18" (0.5 m)	6" (0.15 m)	1" (25 mm)	4" (100 mm)

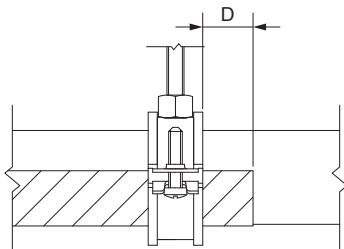
Max. Cantilever



Min. Overlap



Min. Overhang



Min. Distance to Fitting

