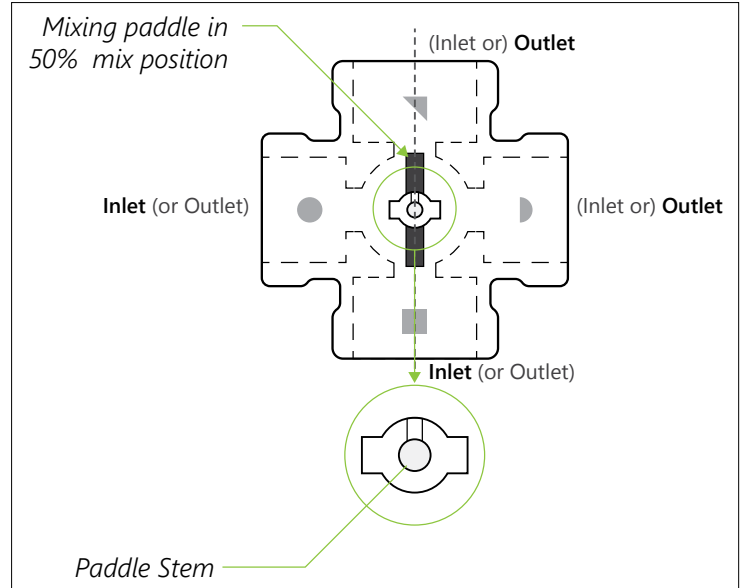
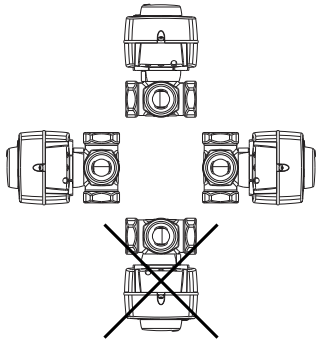


## Valve orientation

The 4-way mixing valve can be oriented in one of two ways - use the diagrams below to determine the proper orientation for your system.

1. Ensure the valve is oriented as below, using the markings on the valve as reference.
2. The valve can be mounted horizontally or vertically.

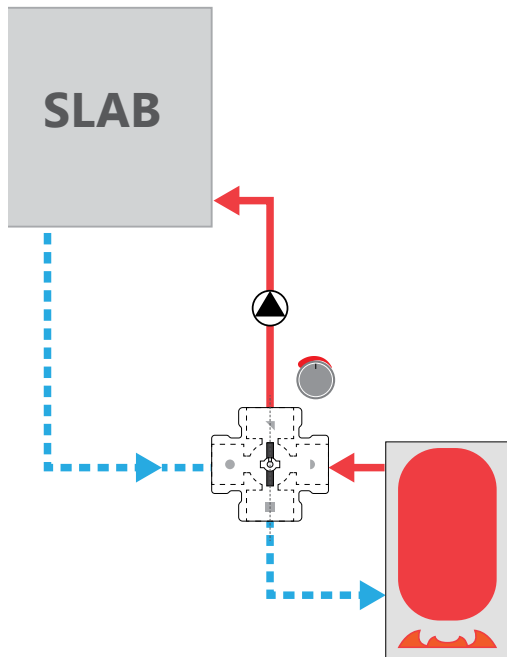
**Note:** The valve must not be mounted upside down as this can cause actuator malfunctions in the event of a leaky valve.



3. Position the knob at the 50% mix position (as shown below).
4. Determine which orientation you are using and attach to the system piping before installing the actuator.

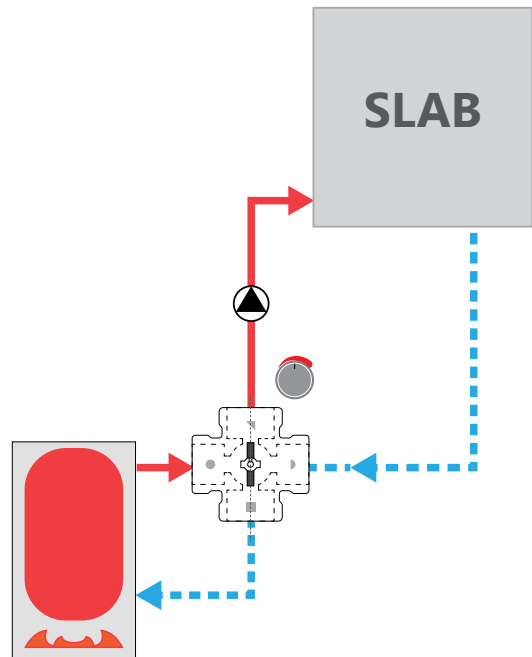
### 1a

Heat source piping on right (east) side of the valve.



### 1b

Heat source piping on left (west) side of the valve.



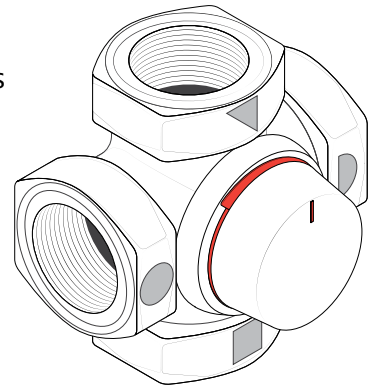
*Schematic simplified for illustration purposes; not all components are shown.*

## Mounting the 58131 Actuator

5. Ensure your 4-way valve is installed and oriented properly (as per page 1).
6. Check that you have the proper actuator: 58131 (ESBE part# ARA663)
7. Check all accessories are included with the actuator

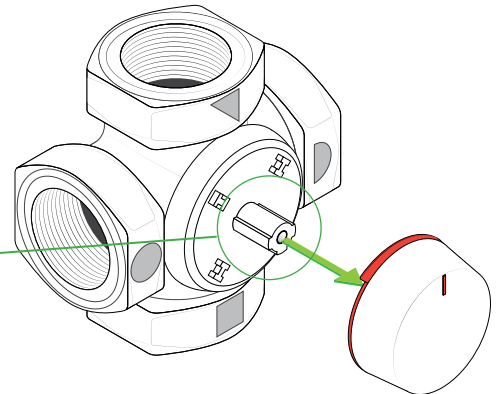
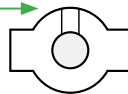


8. Turn the knob on the valve until the indicator is at the "North" position. This will ensure that the valve is at the 50% mix position and is ready for proper motor mounting.

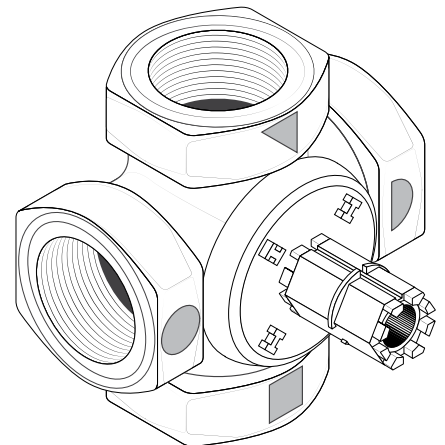
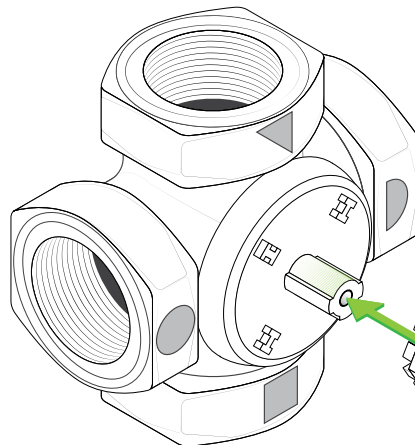
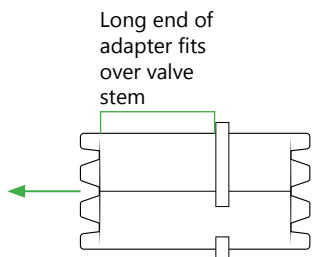


9. Remove and dispose of the factory mounted knob.

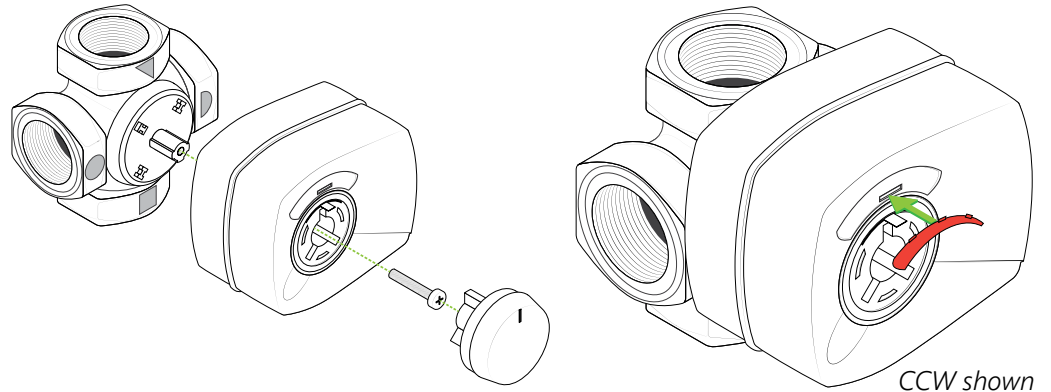
Proper orientation of the valve stem at "north" position.



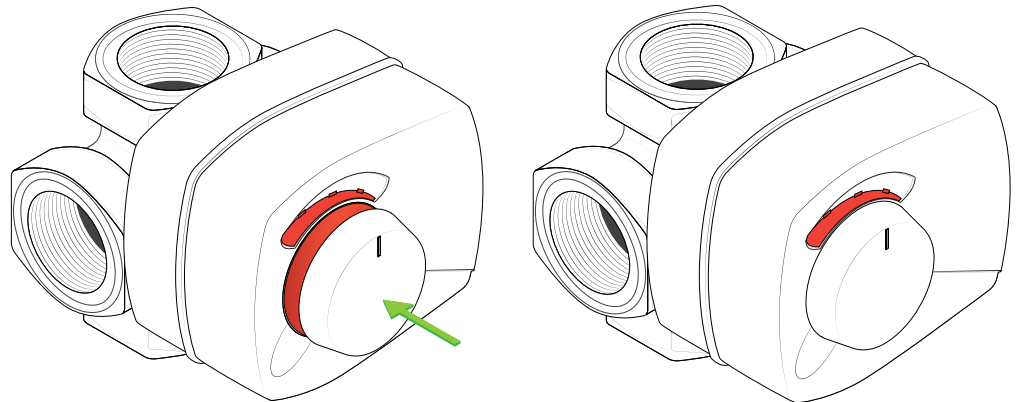
10. Attach the plastic adapter included in the 58131 package to the valve stem. The flat spot on the adapter will line up with the flat spot on the stem.



11. Mount the 58131 actuator motor onto the valve as shown - factory setting is 50% open. Do not mount the motor upside down.
- Remove the knob by pulling it straight out.
  - Secure the actuator motor to the valve using the included screw.
  - Replace the indicator knob.
  - Ensure the correct indicator is installed on the actuator (use the diagram on page 1 to aid in selection).

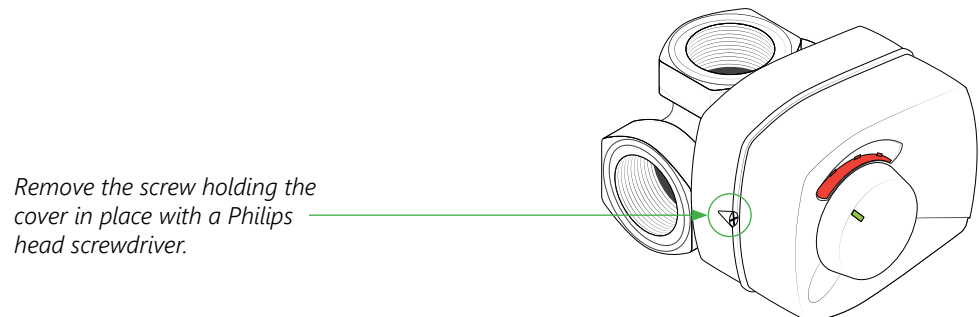


- e. Ensure the knob is in the AUTO position. If not, turn the knob and push in until it "clicks" into place - no red should be visible around the base.

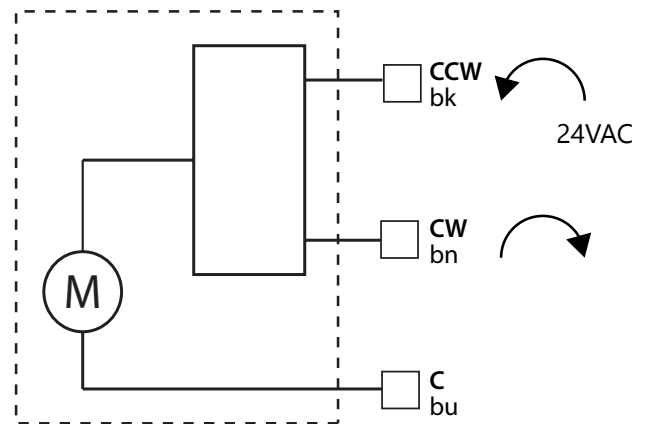


**Note:** Do Not apply power to the actuator until it has been properly mounted to the valve as this may damage the internal workings of the actuator.

12. Remove the cover



13. Wire the actuator to the controller  
(no power)
- a. **Black** = CCW (counter-clockwise orientation)
  - b. **Brown** = CW (clockwise orientation)
  - c. **Blue** = C



14. Power up the controller and the actuator.  
15. The actuator will move to fully open or fully closed from the default 50% open position depending on what the controller requests.

