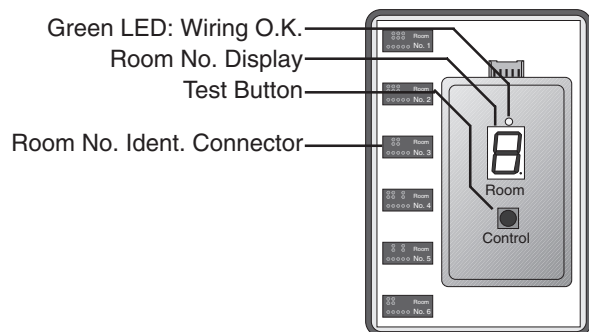


# Instructions for Operation

## StatLink® Testing Kit (#44100)

### Room Identification



The “Room-ID” tester matches the module 5-wire connector with the respective room thermostats.

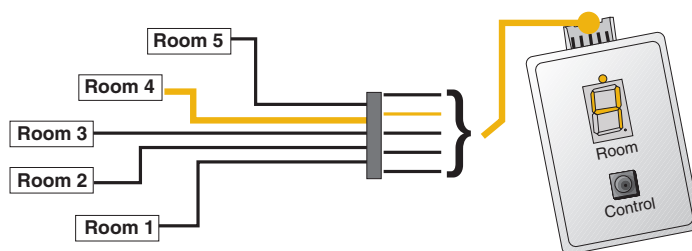
Room number ID connectors are attached to the plugs that are installed in the individual rooms or thermostats. Up to 6 rooms and their thermostats can be identified with a single set-up. The incoming wires at the module are then connected to the tester with the installed plug, one at a time. Pressing the test button displays the number of the room which is served by the individual wire.

#### Display Function:

Green LED “on” means - wiring and connector are O.K.

### Example

Room number 4 identification connector is plugged in at Room Number 4. Pressing the test button displays Room Number 4.



**Important:** The green LED should light up together with the room number display. This indicates that the wiring and connector are O.K. (See Troubleshooting).

### Power Supply

The Room-ID operates with a 9V battery which is to be installed in the battery compartment. Pressing the test button should illuminate a clear and bright “Zero” in the room number display.

### Troubleshooting

- *If the green LED does **not** light up when the test button is pressed, but a room number is displayed:*  
Check wiring connections; one or several conductors may not be connected properly. The displayed room number in this case will be incorrect. Use the StatLink® Diagnostic Indicator (#44110) for further analysis.
- *Display does not light up when the test button is pressed:*  
Check that a battery is installed and make sure the battery charge is OK.