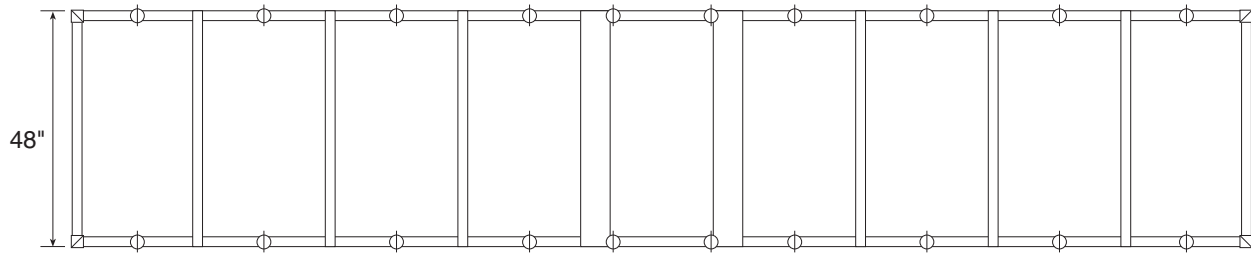


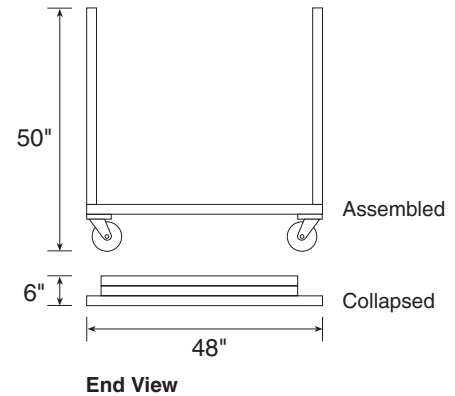
Side View



Bottom View

Note: \odot indicates bolt locations which allows for easy dismantling.

The pipe rack is designed to hold a maximum of 150 bundles of 20 foot straight PEX pipe.
Available with or without castors (wheels).
Weight: 400 lbs. empty
4000 lbs. with 150 bundles of PEX pipe.
Requires 5000 lb forklift to lift.



End View

Heat Link Canada

Manufactured & Distributed by HeatLink Group Inc.
Head Office:
4603E - 13th Street NE
Calgary, AB, T2E 6M3
Toll Free: 1-800-661-5332 Phone: (403) 250-3432
Fax: 1-866-450-1155
Mississauga Office:
1555 Bonhill Road, Unit #7
Mississauga, ON, L5T 1Y5
Toll Free: 1-800-661-5332 Phone: (905) 795-8289
Fax: 1-866-450-1155

Heat Link China

Distributed by Cathy-Links International
Phone: 852-25693213
Fax: 852-25359271

Heat Link Ireland

Distributed by Jamoni Ltd.
Phone: 057 - 932 4062
Fax: 057 - 932 4063
Free Phone: 1800-311338

Heat Link Mexico

Distributed by Distributora Caisa S.A. de C.V.
Phone: (52) 3300-4400
Fax: (52) 3300-4406

Heat Link USA

Distributed by HeatLink Group Inc.
Toll Free: 1-800-661-5332
Fax: 1-800-869-6098